

base block, stack valve, CETOP 5 (with Y port) MBSY-10.-B01/B..



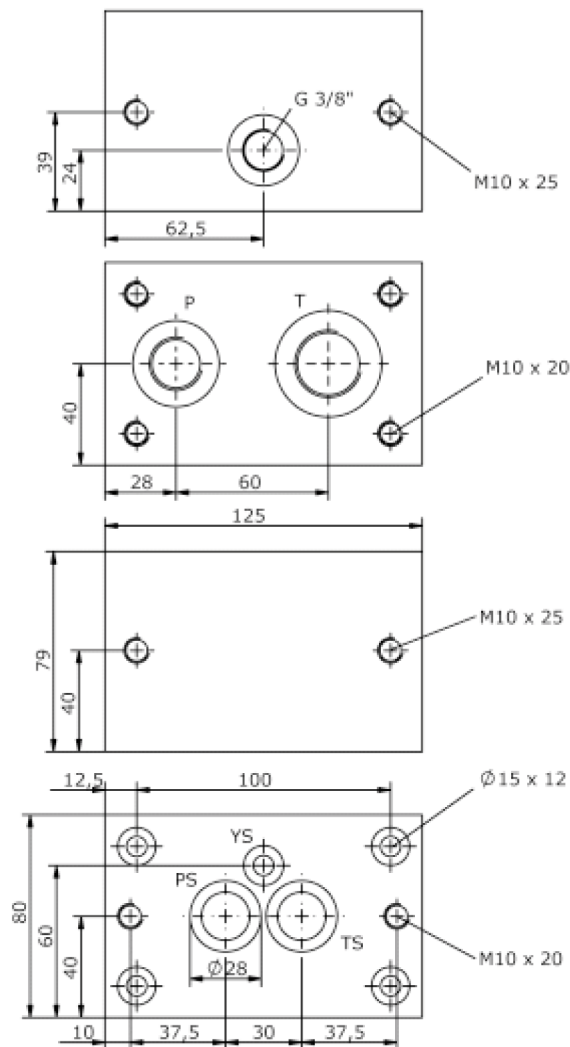
Motrac Hydraulik GmbH
Siemensring 87 - D-47877 Willich
fon +49-(0)2154-8162.0 - fax +49-(0)2154-8162.499
e-mail info.miw@motracindustries.com
internet www.motracindustries.com

IM-990-050-00

(subject to change)



P		PS
Y		YS
T		TS



base block, stack valve, CETOP 5 (with Y port)

MBSY-10.-B01/B..



Motrac Hydraulik GmbH
Siemensring 87 - D-47877 Willich
fon +49-(0)2154-8162.0 - fax +49-(0)2154-8162.499
e-mail info.miw@motracindustries.com
internet www.motracindustries.com

IM-990-050-00

(subject to change)



Ordering example:

MBSY - 10A - B01 / B06



Model code:

- | | |
|--|--|
| <p>A design
IMAV-stack system</p> <p>B size and material
10A = aluminum (F37)
10S = steel (9SMnPb28K resp. GGG-40)</p> <p>C base manifold
base block</p> | <p>D port size P and T
B04 = P: BSPP 1/2" and T: BSPP 3/4"
B06 = P: BSPP 3/4" and T: BSPP 1"
B08 = P: BSPP 1" and T: BSPP 1 1/4"</p> |
|--|--|

Technical Data:

nominal pressure:	210 bar (A) 350 bar (S)
weight:	1.5 / 3.2 kg (A/S)
included:	included 2 pcs. O-Ring 21.82 x 3.53 1 pcs. O-Ring 10.77 x 2.62