

# base block, stack valve, CETOP 7 (all ports rear, P + T in SAE)

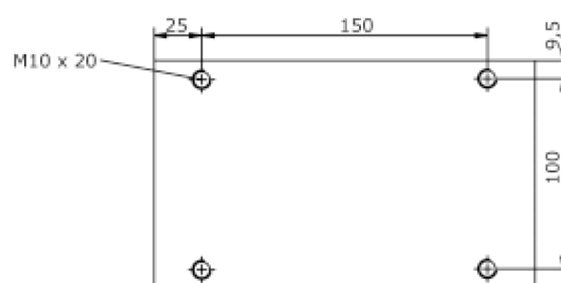
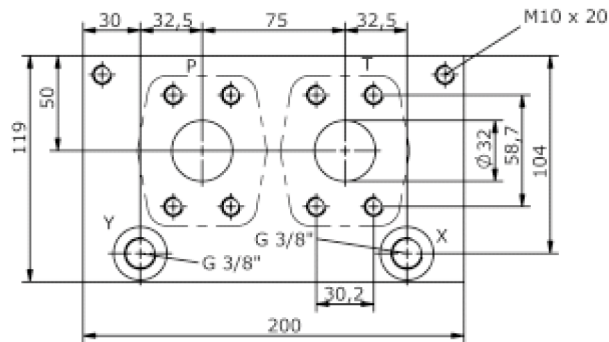
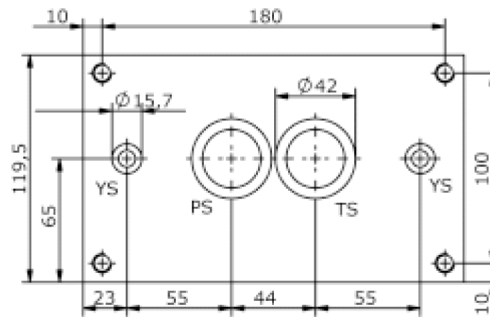
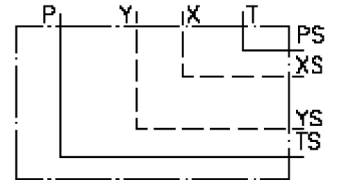
MBS-16.-B03/SAE 1 1/4-3000



Motrac Hydraulik GmbH  
Siemensring 87 - D-47877 Willich  
fon +49-(0)2154-8162.0 - fax +49-(0)2154-8162.499  
e-mail info.miw@motracindustries.com  
internet www.motracindustries.com

IM-605-210-00

(subject to change)



# base block, stack valve, CETOP 7 (all ports rear, P + T in SAE)

MBS-16.-B03/SAE 1 1/4-3000



Motrac Hydraulik GmbH  
Siemensring 87 - D-47877 Willich  
fon +49-(0)2154-8162.0 - fax +49-(0)2154-8162.499  
e-mail info.miw@motracindustries.com  
internet www.motracindustries.com

IM-605-210-00

(subject to change)

## Ordering example:

MBS - 16A - B03 / SAE 1 1/4-3000

**A**

**B**

**C**

**D**

## Model code:

**A**

### design

IMAV-stack system

**B**

### size and material

16A = aluminum (F37)

16S = steel (9SMnPb28K resp. GGG-40)

**C**

### base manifold

base block

**D**

### port size P and T

SAE 1 1/4" 3000 PSI

## Technical Data:

**nominal pressure:**

210 bar

**weight:**

7.5 / 15.3 kg (A/S)

**included:**

included

2 pcs. O-Ring 12.42 x 1.78

2 pcs. O-Ring 36.09 x 3.53