

base block, stack valve, CETOP 7 (all ports rear)

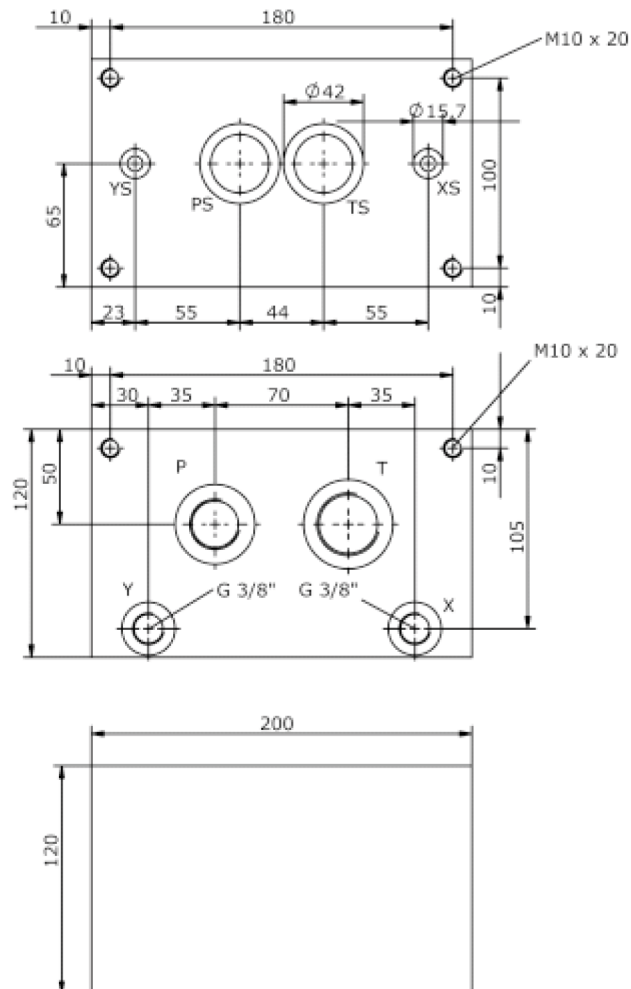
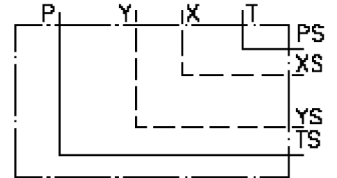
MBS-16.-B03/B..



Motrac Hydraulik GmbH
Siemensring 87 - D-47877 Willich
fon +49-(0)2154-8162.0 - fax +49-(0)2154-8162.499
e-mail info.miw@motracindustries.com
internet www.motracindustries.com

IM-605-200-00

(subject to change)



base block, stack valve, CETOP 7 (all ports rear)

MBS-16.-B03/B..



Motrac Hydraulik GmbH
Siemensring 87 - D-47877 Willich
fon +49-(0)2154-8162.0 - fax +49-(0)2154-8162.499
e-mail info.miw@motracindustries.com
internet www.motracindustries.com

IM-605-200-00

(subject to change)



Ordering example:

MBS - 16A - B03 / B08

A **B** **C** **D**

Model code:

- | | |
|--|--|
| <p>A design
IMAV-stack system</p> <p>B size and material
16A = aluminum (F37)
16S = steel (9SMnPb28K resp. GGG-40)</p> <p>C base manifold
base block</p> | <p>D port size P and T
B06 = P: BSPP 3/4" and T: BSPP 1"
B08 = P: BSPP 1" and T: BSPP 1 1/4"
B10 = P: BSPP 1 1/4" and T: BSPP 1 1/2"</p> |
|--|--|

Technical Data:

nominal pressure: 210 bar (A)
350 bar (S)

weight: 7.5 / 15.3 kg (A/S)

included: included
2 pcs. O-Ring 12.42 x 1.78
2 pcs. O-Ring 36.09 x 3.53