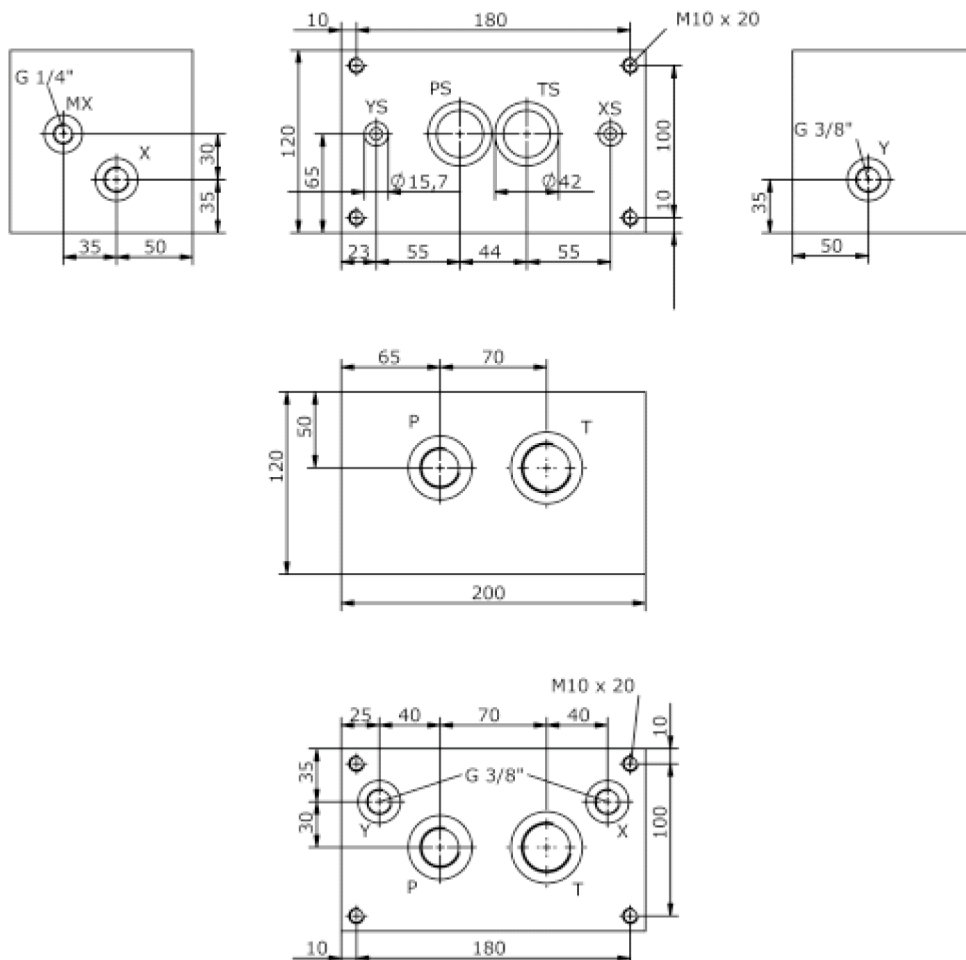
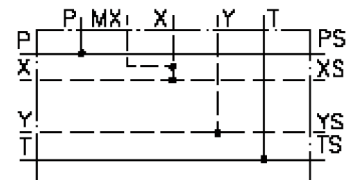


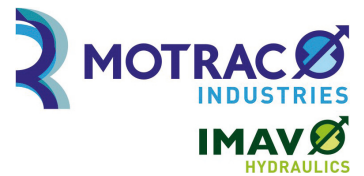
base block, stack valve, CETOP 7 (ports P and T at bottom and back)

MBS-16.-B01/B..



base block, stack valve, CETOP 7 (ports P and T at bottom and back)

MBS-16.-B01/B..



Motrac Hydraulik GmbH
Siemensring 87 - D-47877 Willich
fon +49-(0)2154-8162.0 - fax +49-(0)2154-8162.499
e-mail info.miw@motracindustries.com
internet www.motracindustries.com

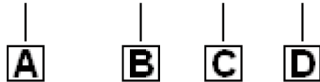
IM-605-100-00

(subject to change)



Ordering example:

MBS - 16A - B01 / B08



Model code:

- | | |
|--|--|
| <p>A design
IMAV-stack system</p> <p>B size and material
16A = aluminum (F37)
16S = steel (9SMnPb28K resp. GGG-40)</p> <p>C base manifold
base block</p> | <p>D port size P and T
B06 = P: BSPP 3/4" and T: BSPP 1"
B08 = P: BSPP 1" and T: BSPP 1 1/4"
B10 = P: BSPP 1 1/4" and T: BSPP 1 1/2"</p> |
|--|--|

Technical Data:

- | | |
|--------------------------|--|
| nominal pressure: | 210 bar (A)
350 bar (S) |
| weight: | 7.5 / 15.5 kg (A/S) |
| included: | included
2 pcs. O-Ring 12.42 x 1.78
2 pcs. O-Ring 36.09 x 3.53 |