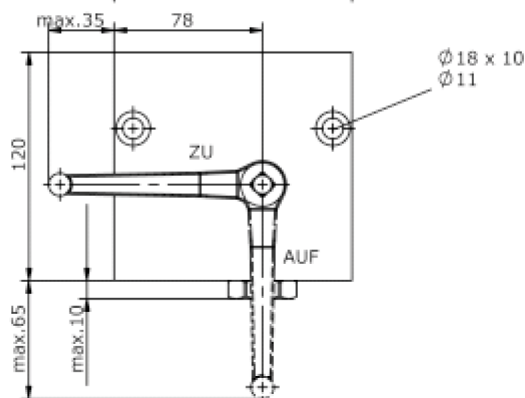
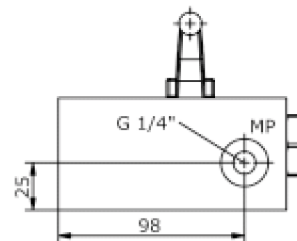
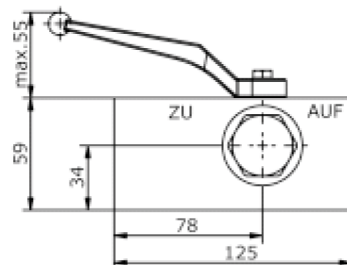
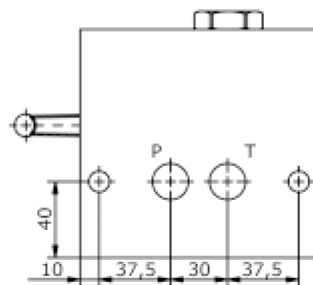
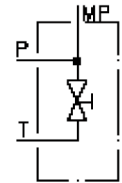


top block CETOP 5 (with ball valve and gauge port) MBS-10.-TKH

IM-585-104-00

(subject to change)



top block CETOP 5 (with ball valve and gauge port)

MBS-10.-TKH



Motrac Hydraulik GmbH
Siemensring 87 - D-47877 Willich
fon +49-(0)2154-8162.0 - fax +49-(0)2154-8162.499
e-mail info.miw@motracindustries.com
internet www.motracindustries.com

IM-585-104-00

(subject to change)



Ordering example:

MBS - 10A - TKH



Model code:

- | | |
|--|--|
| <p>A design
IMAV-stack system</p> <p>B size and material
10A = aluminum (F37)
10S = steel (9SMnPb28K resp. GGG-40)</p> | <p>C shut off manifold with ball valve
shut off manifold with flush ball valve</p> |
|--|--|

Technical Data:

nominal pressure:	210 bar (A) 350 bar (S)
weight:	2.7 / 5.8 kg (A/S)
included:	included: 2 pcs. M10 x 60 DIN 912