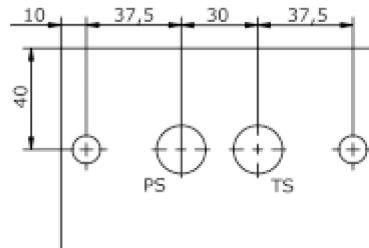
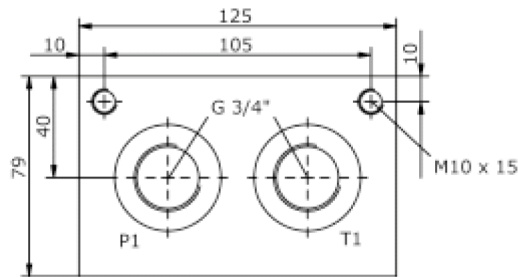
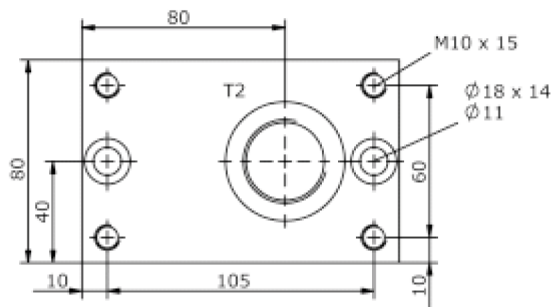
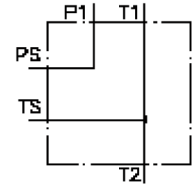


top block CETOP 5 (ports P and T at back + T at top)

MBS-10.-TE4

IM-580-140-00

(subject to change)



top block CETOP 5 (ports P and T at back + T at top)

MBS-10.-TE4



Motrac Hydraulik GmbH
Siemensring 87 - D-47877 Willich
fon +49-(0)2154-8162.0 - fax +49-(0)2154-8162.499
e-mail info.miw@motracindustries.com
internet www.motracindustries.com

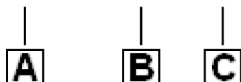
IM-580-140-00

(subject to change)



Ordering example:

MBS - 10A - TE4



Model code:

- A** design
IMAV-stack system
- B** size and material
10A = aluminum (F37)

- C** shut off manifold
shut off manifold

Technical Data:

- nominal pressure:** 210 bar (A)
350 bar (S)
- weight:** 2.1 / 4.4 kg (A/S)
- included:** included:
2 pcs. M10 x 80 DIN 912