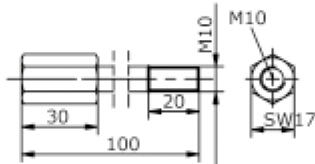
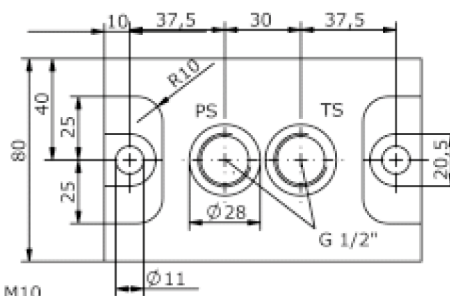
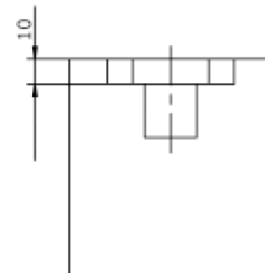
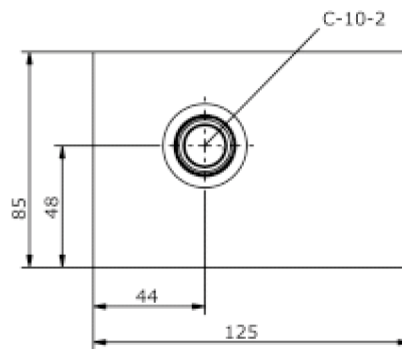
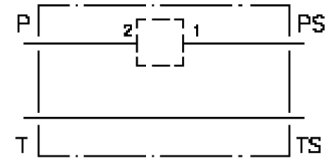


mounting block CETOP 5 (with C-10-2 - cavity in P)

MBS-10.-A-P2/P1

IM-570-153-00

(subject to change)



mounting block CETOP 5 (with C-10-2 - cavity in P)

MBS-10.-A-P2/P1



Motrac Hydraulik GmbH
Siemensring 87 - D-47877 Willich
fon +49-(0)2154-8162.0 - fax +49-(0)2154-8162.499
e-mail info.mhw@motrac-hydraulics.com
internet www.motrac-hydraulics.com

IM-570-153-00

(subject to change)

Ordering example:

MBS - 10A - A - P2/P1

A	B	C	D

Model code:

- | | |
|--|---|
| <p>A design
IMAV-stack system</p> <p>B size and material
10A = aluminum (F37)
10S = steel (9SMnPb28K resp. GGG-40)</p> | <p>C adapter manifold
adapter manifold</p> <p>D function in P
function in P</p> |
|--|---|

Technical Data:

nominal pressure: 210 bar (A)
350 bar (S)

weight: 2.2 / 4.6 kg (A/S)

included: included
2 pcs. O-Ring 21.82 x 3.53