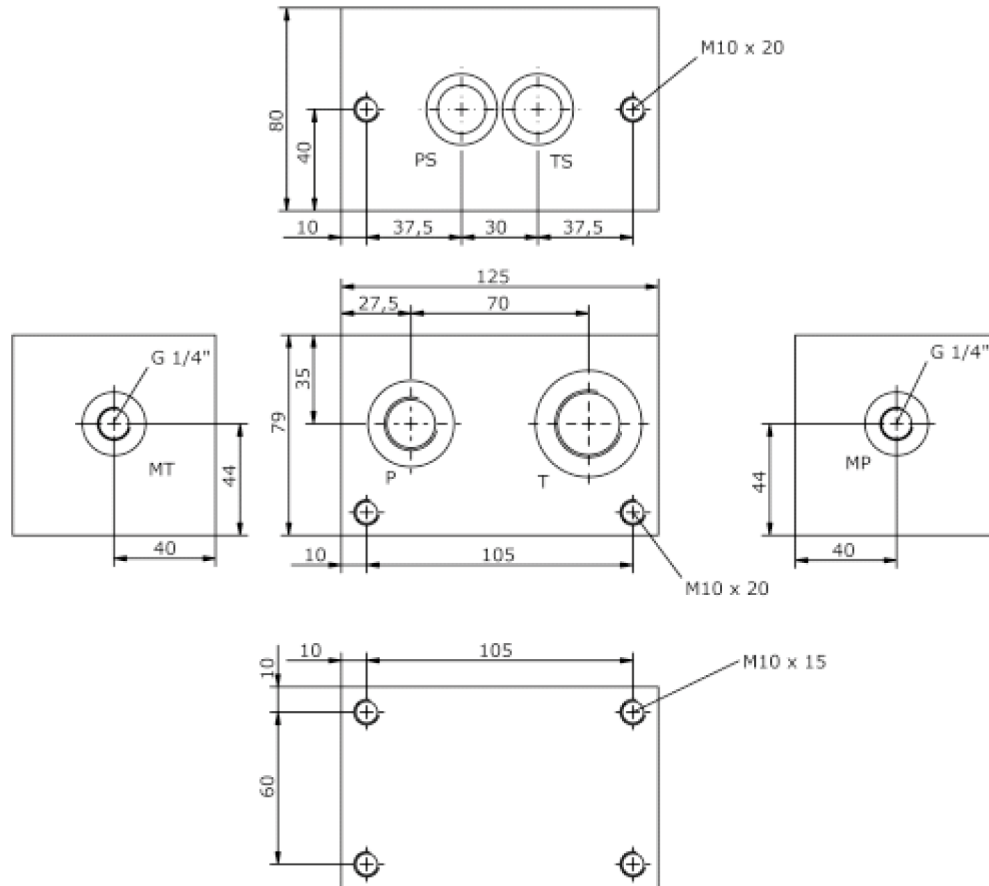
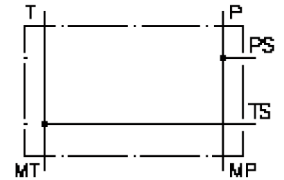


# base block, stack valve, CETOP 5 (ports P and T at back)

MBS-10.-B03/B..

**IM-505-200-00**

(subject to change)



# base block, stack valve, CETOP 5 (ports P and T at back)

MBS-10.-B03/B..



Motrac Hydraulik GmbH  
Siemensring 87 - D-47877 Willich  
fon +49-(0)2154-8162.0 - fax +49-(0)2154-8162.499  
e-mail info.mhw@motrac-hydraulics.com  
internet www.motrac-hydraulics.com

**IM-505-200-00**

(subject to change)

## Ordering example:

MBS - 10A - B03 / B06



## Model code:

- |  |  |
|--|--|
| <p><b>A</b> <b>design</b><br/>IMAV-stack system</p> <p><b>B</b> <b>size and material</b><br/>10A = aluminum (F37)<br/>10S = steel (9SMnPb28K resp. GGG-40)</p> | <p><b>C</b> <b>base manifold</b><br/>base block</p> <p><b>D</b> <b>port size P and T</b><br/>B04 = P: BSPP 1/2" and T: BSPP 3/4"<br/>B06 = P: BSPP 3/4" and T: BSPP 1"</p> |
|--|--|

## Technical Data:

- |                          |  |
|--------------------------|--|
| <b>nominal pressure:</b> | 210 bar (A)<br>350 bar (S)             |
| <b>weight:</b>           | 2.1 / 4.3 kg (A/S)                     |
| <b>included:</b>         | included<br>2 pcs. O-Ring 21.82 x 3.53 |