

base block, stack valve, CETOP 5 (ports P and T at bottom)

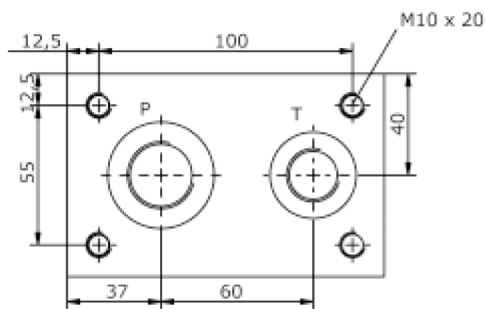
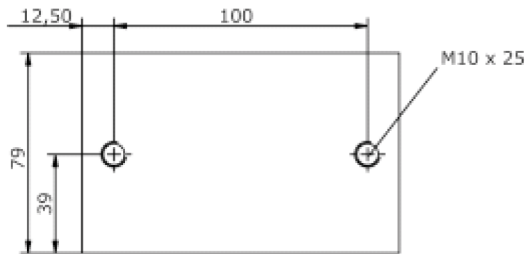
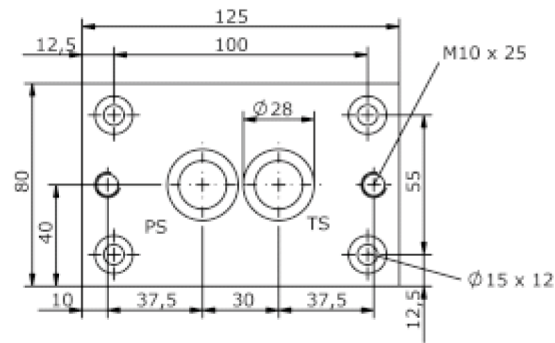
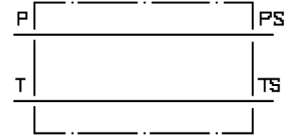
MBS-10.-B01/B..



Motrac Hydraulik GmbH
Siemensring 87 - D-47877 Willich
fon +49-(0)2154-8162.0 - fax +49-(0)2154-8162.499
e-mail info.mhw@motrac-hydraulics.com
internet www.motrac-hydraulics.com

IM-505-100-00

(subject to change)



base block, stack valve, CETOP 5 (ports P and T at bottom)

MBS-10.-B01/B..



Motrac Hydraulik GmbH
Siemensring 87 - D-47877 Willich
fon +49-(0)2154-8162.0 - fax +49-(0)2154-8162.499
e-mail info.mhw@motrac-hydraulics.com
internet www.motrac-hydraulics.com

IM-505-100-00

(subject to change)

Ordering example:

MBS - 10A - B01 / B06

A **B** **C** **D**

Model code:

- | | |
|--------------------------------------------------------------------------------------------------------------------------------------------------------------------------------------------------------------------|----------------------------------------------------------------------------------------------------------------------------------------------------------------|
| <p>A design
IMAV-stack system</p> <p>B size and material
10A = aluminum (F37)
10S = steel (9SMnPb28K resp. GGG-40)</p> <p>C base manifold
base block</p> | <p>D port size P and T
B04 = P: BSPP 1/2" and T: BSPP 3/4"
B06 = P: BSPP 3/4" and T: BSPP 1"
B08 = P: BSPP 1" and T: BSPP 1 1/4"</p> |
|--------------------------------------------------------------------------------------------------------------------------------------------------------------------------------------------------------------------|----------------------------------------------------------------------------------------------------------------------------------------------------------------|

Technical Data:

nominal pressure: 210 bar (A)
350 bar (S)

weight: 1.8 / 3.9 kg (A/S)

included: included
2 pcs. O-Ring 21.82 x 3.53