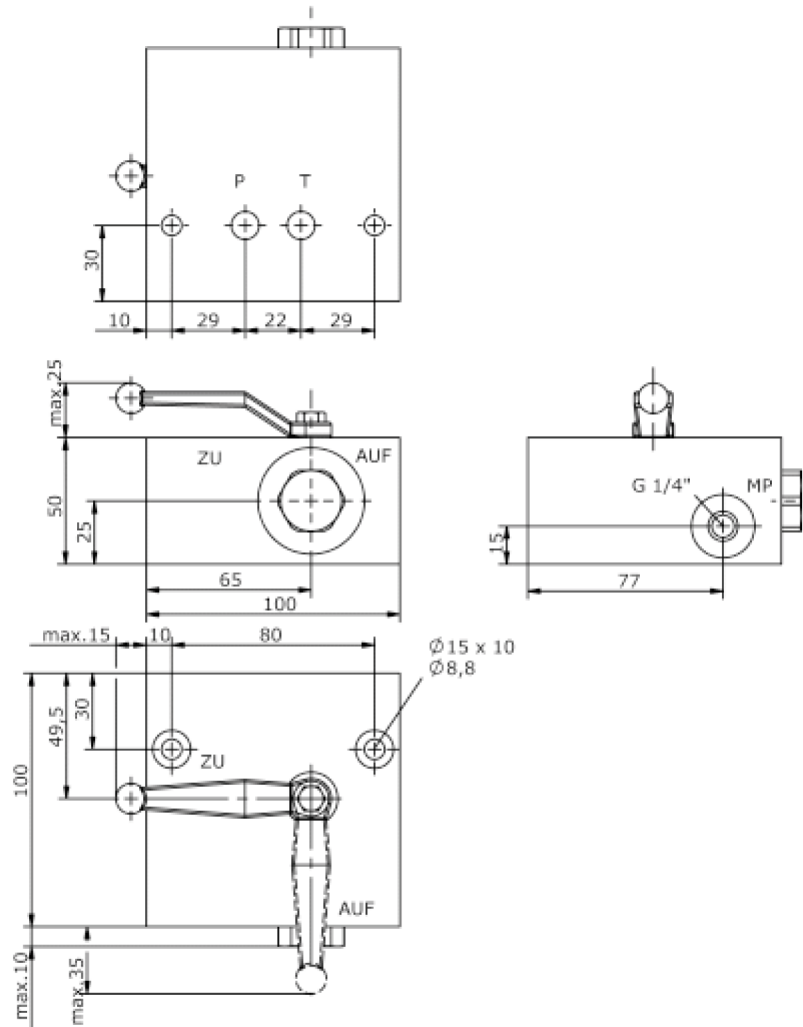
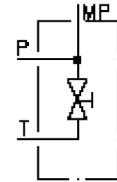


top block CETOP 3 (with ball valve and gauge port) MBS-06.-TKH

IM-485-104-00

(subject to change)



top block CETOP 3 (with ball valve and gauge port)

MBS-06.-TKH



Motrac Hydraulik GmbH
Siemensring 87 - D-47877 Willich
fon +49-(0)2154-8162.0 - fax +49-(0)2154-8162.499
e-mail info.mhw@motrac-hydraulics.com
internet www.motrac-hydraulics.com

IM-485-104-00

(subject to change)

Ordering example:

MBS - 06A - TKH



Model code:

- | | |
|--|--|
| <p>A design
IMAV-stack system</p> <p>B size and material
06A = aluminum (F37)
06S = steel (9SMnPb28K resp. GGG-40)</p> | <p>C shut off manifold with flush ball valve
shut off manifold with flush ball valve</p> |
|--|--|

Technical Data:

nominal pressure:	210 bar (A) 350 bar (S)
weight:	1.6 / 3.4 kg (A/S)
included:	included: 2 pcs. M8 x 50 DIN 912