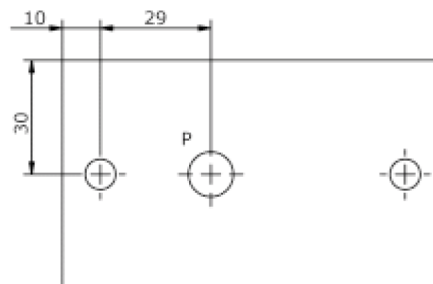
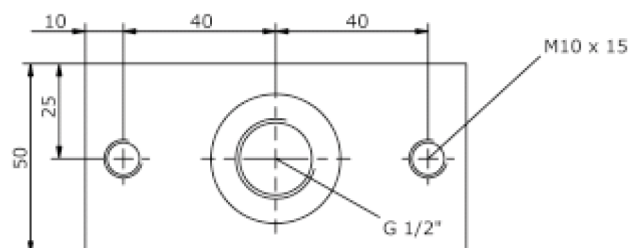
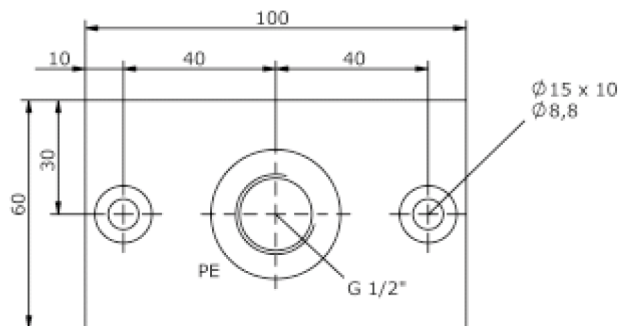
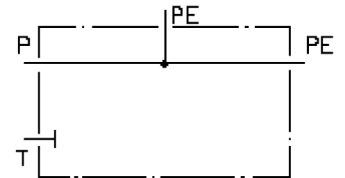


# top block CETOP 3 (P at top and rear BSPP 3/8")

MBS-06.-TE2

IM-480-120-00

(subject to change)



# top block CETOP 3 (P at top and rear BSPP 3/8“)

MBS-06.-TE2

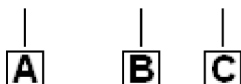
**IM-480-120-00**

(subject to change)



## Ordering example:

MBS - 06A - TE2



## Model code:

- |   |  |
|---|--|
| <b>A</b> <b>design</b><br>IMAV-stack system   | <b>C</b> <b>shut off manifold</b><br>shut off manifold |
| <b>B</b> <b>size and material</b><br>06A = aluminum (F37)<br>06S = steel (9SMnPb28K resp. GGG-40) |  |

## Technical Data:

- |                          |                                     |
|--------------------------|-------------------------------------|
| <b>nominal pressure:</b> | 210 bar (A)<br>350 bar (S)          |
| <b>weight:</b>           | 0.7 / 1.6 kg (A/S)                  |
| <b>included:</b>         | included:<br>2 pcs. M8 x 50 DIN 912 |