

# single mounting block CETOP 3 (with check valve in P + accumulator + pressure switch)

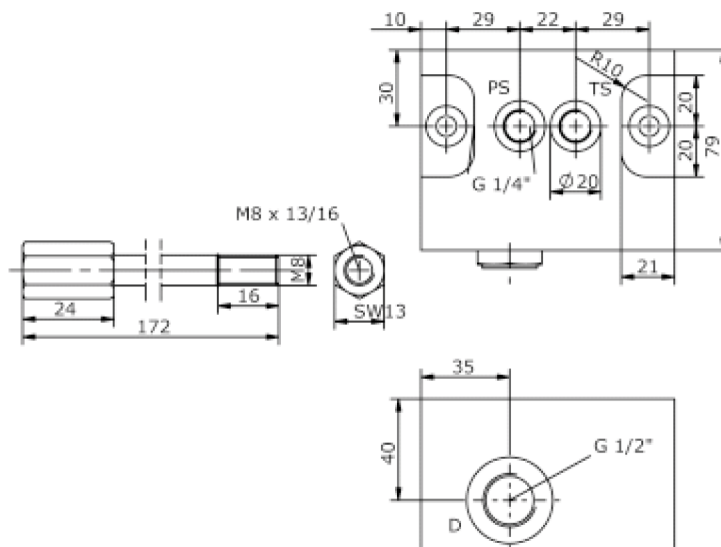
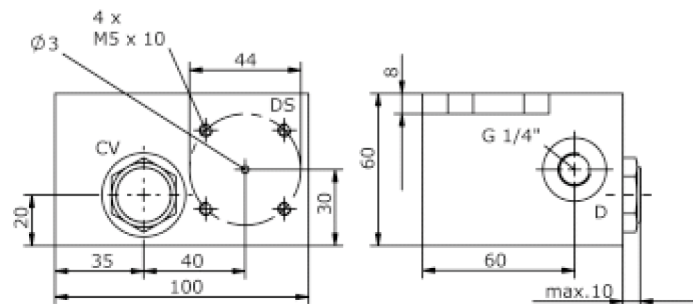
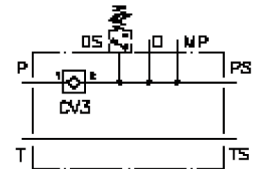
MBS-06.-DS



Motrac Hydraulik GmbH  
Siemensring 87 - D-47877 Willich  
fon +49-(0)2154-8162.0 - fax +49-(0)2154-8162.499  
e-mail info.mhw@motrac-hydraulics.com  
internet www.motrac-hydraulics.com

IM-475-251-00

(subject to change)



single mounting block CETOP 3  
(with check valve in P + accumulator  
+ pressure switch)

MBS-06.-DS



Motrac Hydraulik GmbH  
Siemensring 87 - D-47877 Willich  
fon +49-(0)2154-8162.0 - fax +49-(0)2154-8162.499  
e-mail info.mhw@motrac-hydraulics.com  
internet www.motrac-hydraulics.com

IM-475-251-00

(subject to change)

**Ordering example:**

MBS - 06A - DS



**Model code:**

- A** design  
IMAV-stack system
- B** size and material  
06A = aluminum (F37)  
06S = steel (9SMnPb28K resp. GGG-40)
- C** DS = pressure switch  
pressure switch

**Technical Data:**

- nominal pressure:** 210 bar (A)  
350 bar (S)
- weight:** 1.3 / 2.8 kg (A/S)
- included:** included  
2 pcs. O-Ring 15.10 x 2.70  
2 pcs. stack screws
- check valve:** CV3-10.-... see datasheet no. MC-130-100-00