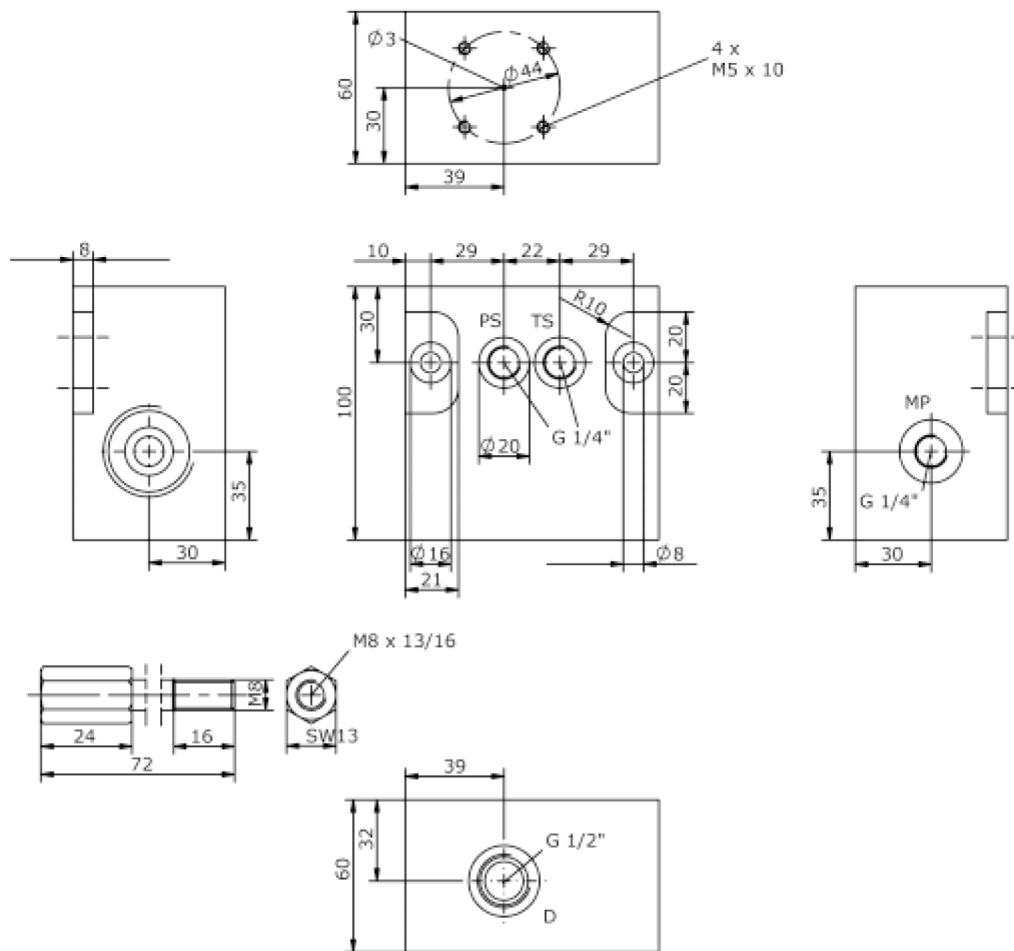
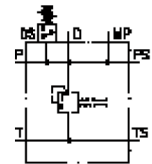


single mounting block CETOP 3 (with TÜV-relief valve in P + pressure sw.)

MBS-06.-DBV/M35 + DS

IM-475-204-00

(subject to change)



single mounting block CETOP 3 (with TÜV-relief valve in P + pressure sw.)

MBS-06.-DBV/M35 + DS



Motrac Hydraulik GmbH
Siemensring 87 - D-47877 Willich
fon +49-(0)2154-8162.0 - fax +49-(0)2154-8162.499
e-mail info.mhw@motrac-hydraulics.com
internet www.motrac-hydraulics.com

IM-475-204-00

(subject to change)

Ordering example:

MBS - 06A - DBV/M35 + DS

A

B

C

D

Model code:

A

design

IMAV-stack system

B

size and material

06A = aluminum (F37)

06S = steel (9SMnPb28K resp. GGG-40)

C

cavity for BOSCH-relief valve (DBV-TÜV)

cavity for BOSCH-relief valve (DBV-TÜV)

D

DS = pressure switch

pressure switch

Technical Data:

nominal pressure:

210 bar (A)

350 bar (S)

weight:

1.5 / 3.2 kg (A/S)

included:

included

2 pcs. O-Ring 15.10 x 2.70

2 pcs. stack screws