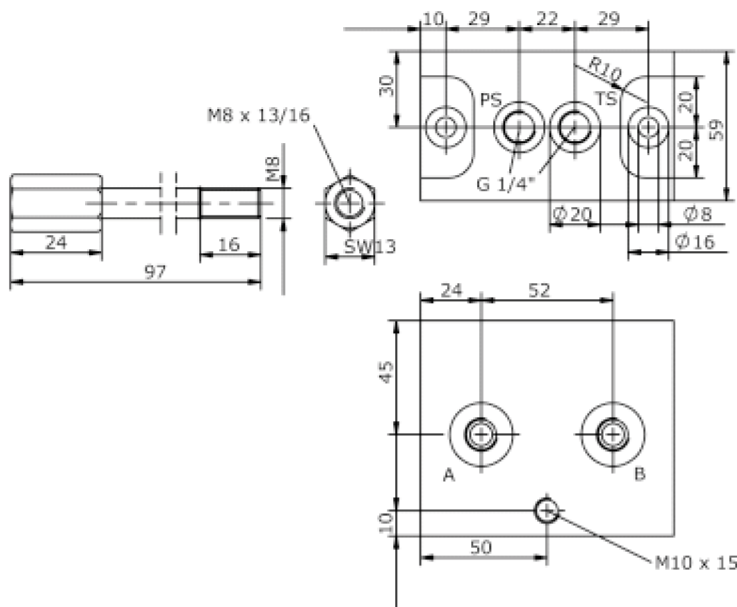
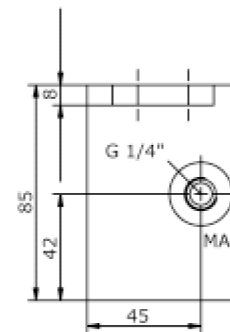
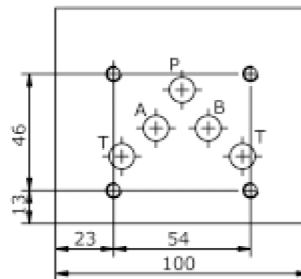
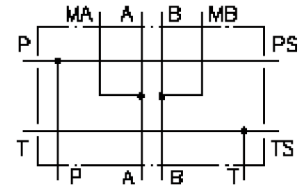


single mounting block CETOP 3 (for 1 valve CETOP 5)

MBS-06.-1A10/B..

IM-445-150-00

(subject to change)



single mounting block CETOP 3 (for 1 valve CETOP 5)

MBS-06.-1A10/B..



Motrac Hydraulik GmbH
Siemensring 87 - D-47877 Willich
fon +49-(0)2154-8162.0 - fax +49-(0)2154-8162.499
e-mail info.mhw@motrac-hydraulics.com
internet www.motrac-hydraulics.com

IM-445-150-00

(subject to change)

Ordering example:

MBS - 06A - 1A - 10 / B03

A	B	C	D	E

Model code:

- | | |
|---|--|
| <p>A design
IMAV-stack system</p> <p>B size and material
06A = aluminum (F37)
06S = steel (9SMnPb28K resp. GGG-40)</p> <p>C qty. of directional valves
number of directional valves</p> | <p>D for valves with CETOP 5 mounting interface
interface for directional valve CETOP 5</p> <p>E port size A and B
B03 = BSPP 3/8"
B04 = BSPP 1/2"</p> |
|---|--|

Technical Data:

nominal pressure: 210 bar (A)
350 bar (S)

weight: 1.3 / 2.8 kg (A/S)

included: included
2 pcs. O-Ring 15.10 x 2.70
2 pcs. stack screws