

# base block, stack valve, CETOP 3 (with fixed flow regulator type FR5)

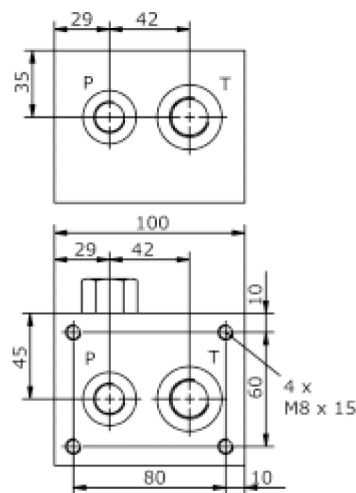
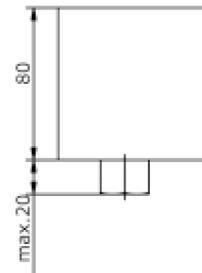
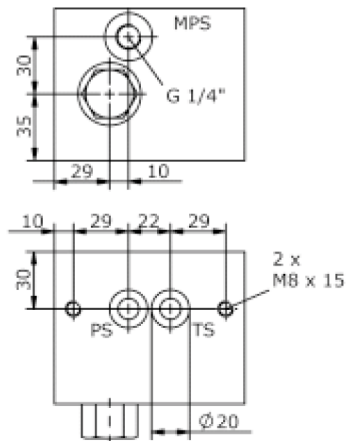
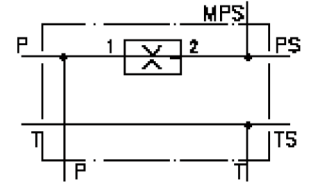
MBS-06A-B60/B.-05F/.....



Motrac Hydraulik GmbH  
Siemensring 87 - D-47877 Willich  
fon +49-(0)2154-8162.0 - fax +49-(0)2154-8162.499  
e-mail info.mhw@motrac-hydraulics.com  
internet www.motrac-hydraulics.com

**IM-420-100-00**

(subject to change)



# base block, stack valve, CETOP 3 (with fixed flow regulator type FR5)

MBS-06A-B60/B..-05F/.....



Motrac Hydraulik GmbH  
Siemensring 87 - D-47877 Willich  
fon +49-(0)2154-8162.0 - fax +49-(0)2154-8162.499  
e-mail info.mhw@motrac-hydraulics.com  
internet www.motrac-hydraulics.com

IM-420-100-00

(subject to change)

## Ordering example:

MBS - 06A - B60 / B04 - 05 - F / 05.00

**A**   **B**   **C**   **D**   **E**   **F**   **G**

## Model code:

- |  |   |
|--|---|
| <p><b>A</b> <b>design</b><br/>IMAV-stack system</p> <p><b>B</b> <b>size and material</b><br/>06A = aluminum (F37)</p> <p><b>C</b> <b>base manifold</b><br/>base block</p> <p><b>D</b> <b>port size P and T</b><br/>B03 = P: BSPP 3/8" and T: BSPP 1/2"<br/>B04 = P: BSPP 1/2" and T: BSPP 3/4"</p> | <p><b>E</b> <b>flow regulator valve</b><br/>05 = FR5-10.-.. (fixed)<br/>see data sheet no.: <a href="#">MF-110-101-00</a></p> <p><b>F</b> <b>adjustment</b><br/>F = fixed</p> <p><b>G</b> <b>requested max. oil flow</b><br/>specify in gpm<br/>1 l/min = 0.265 Gpm (1 Gpm = 3.785 l/min)</p> |
|--|---|

## Technical Data:

**nominal pressure:** 210 bar

**weight:** 2.2 kg

**included:** included  
2 pcs. O-Ring 15.10 x 2.70