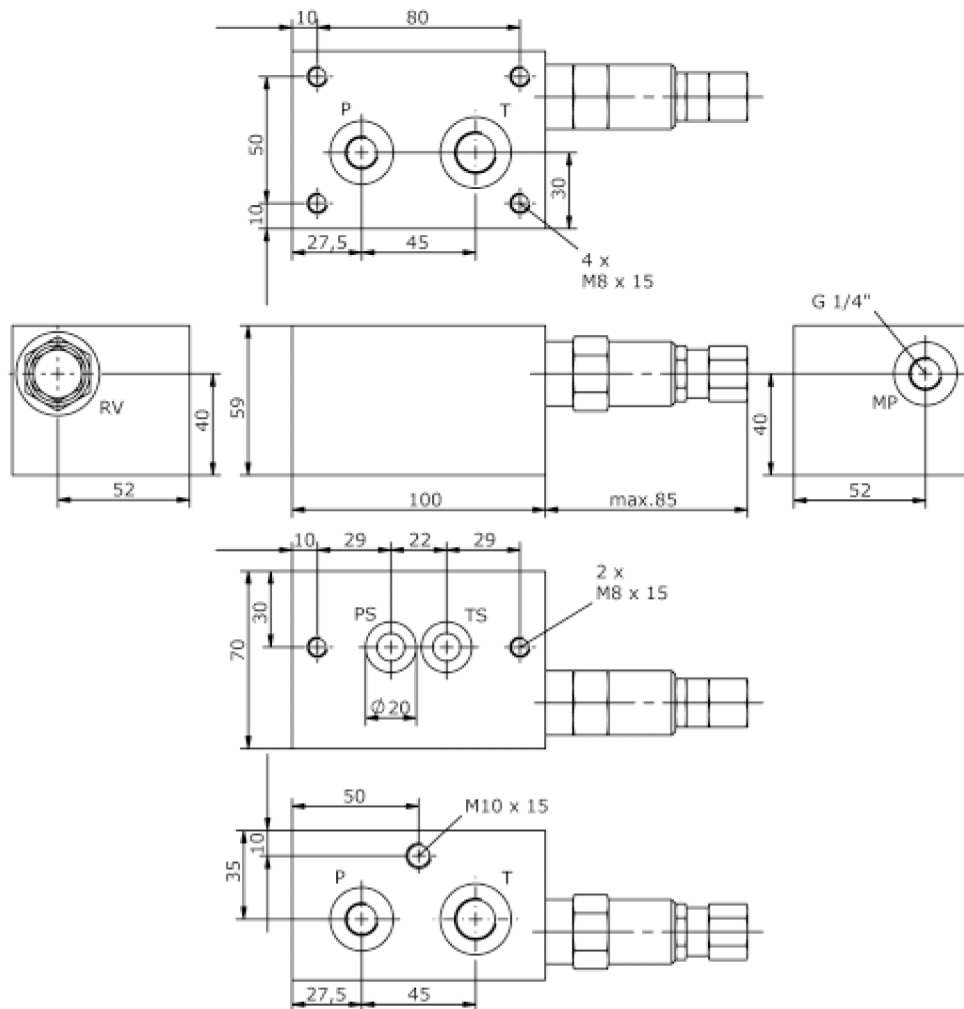
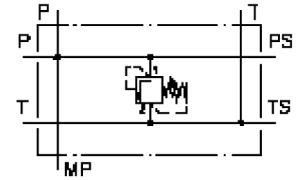


# base block, stack valve, CETOP 3 (with relief valve type RV.)

MBS-06A-B10/B...-.../..

IM-410-101-00

(subject to change)



# base block, stack valve, CETOP 3 (with relief valve type RV.)

MBS-06A-B10/B...-.../..



Motrac Hydraulik GmbH  
Siemensring 87 - D-47877 Willich  
fon +49-(0)2154-8162.0 - fax +49-(0)2154-8162.499  
e-mail info.mhw@motrac-hydraulics.com  
internet www.motrac-hydraulics.com

**IM-410-101-00**

(subject to change)

## Ordering example:

MBS - 06A - B10 / B03 - 01 - C / 36  
|        |        |        |        |        |        |  
**A**    **B**    **C**    **D**    **E**    **F**    **G**

## Model code:

- |   |  |
|---|--|
| <p><b>A</b> <b>design</b><br/>IMAV-stack system</p> <p><b>B</b> <b>size and material</b><br/>06A = aluminum (F37)</p> <p><b>C</b> <b>actuation type</b><br/>base block</p> <p><b>D</b> <b>port size P and T</b><br/>B02 = P: BSPP 1/4" and T: BSPP 3/8"<br/>B03 = P: BSPP 3/8" and T: BSPP 1/2"<br/>B04 = P: BSPP 1/2" and T: BSPP 3/4"</p> <p><b>E</b> <b>relief valve</b><br/>01 = RV1-10.-.. (direct acting) see data sheet no.: <u>MP-100-100-00</u><br/>05 = RV5-10.-.. (direct acting) see data sheet no.: <u>MP-170-101-00</u></p> <p><b>F</b> <b>adjustment</b><br/>J = internal<br/>C = cap<br/>K = handknob</p> | <p><b>G</b> <b>pressure range</b><br/>RV1-10.-..<br/>03 = 3.5 - 20 bar<br/>09 = 7.0 - 62 bar<br/>18 = 17.0 - 124 bar<br/>36 = 34.0 - 250 bar<br/>RV5-10.-..<br/>03 = 3.5 - 20 bar<br/>20 = 7.0 - 140 bar<br/>35 = 17.0 - 240 bar</p> |
|---|--|

## Technical Data:

**nominal pressure:** 210 bar  
**weight:** 1.3 kg  
**included:** included  
2 pcs. O-Ring 15.10 x 2.70