

base block, stack valve, CETOP 3 (ports P and T at back)

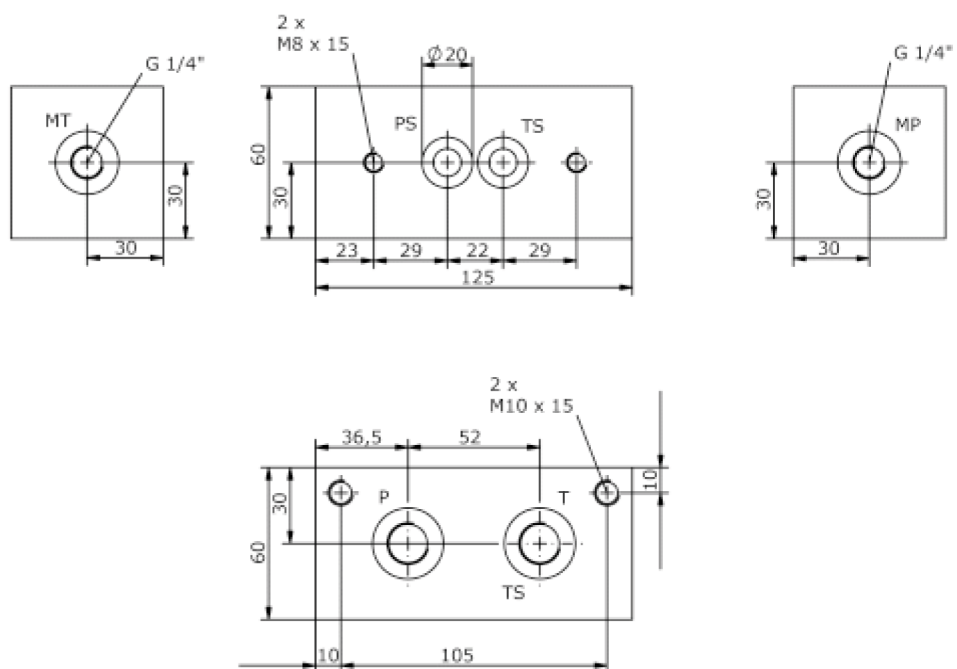
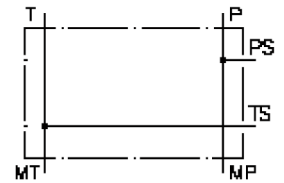
MBS-06.-B03/B..



Motrac Hydraulik GmbH
Siemensring 87 - D-47877 Willich
fon +49-(0)2154-8162.0 - fax +49-(0)2154-8162.499
e-mail info.mhw@motrac-hydraulics.com
internet www.motrac-hydraulics.com

IM-405-200-00

(subject to change)



base block, stack valve, CETOP 3 (ports P and T at back)

MBS-06.-B03/B..



Motrac Hydraulik GmbH
Siemensring 87 - D-47877 Willich
fon +49-(0)2154-8162.0 - fax +49-(0)2154-8162.499
e-mail info.mhw@motrac-hydraulics.com
internet www.motrac-hydraulics.com

IM-405-200-00

(subject to change)

Ordering example:

MBS - 06A - B03 / B04

A

B

C

D

Model code:

A

design

IMAV-stack system

B

size and material

06A = aluminum (F37)

06S = steel (9SMnPb28K resp. GGG-40)

C

base manifold

base block

D

port size P and T

B03 = P: BSPP 3/8" and T: BSPP 3/8"

B04 = P: BSPP 1/2" and T: BSPP 3/4"

Technical Data:

nominal pressure:

210 bar (A)

350 bar (S)

weight:

1.2 / 2.6 kg (A/S)

included:

included

2 pcs. O-Ring 15.10 x 2.70