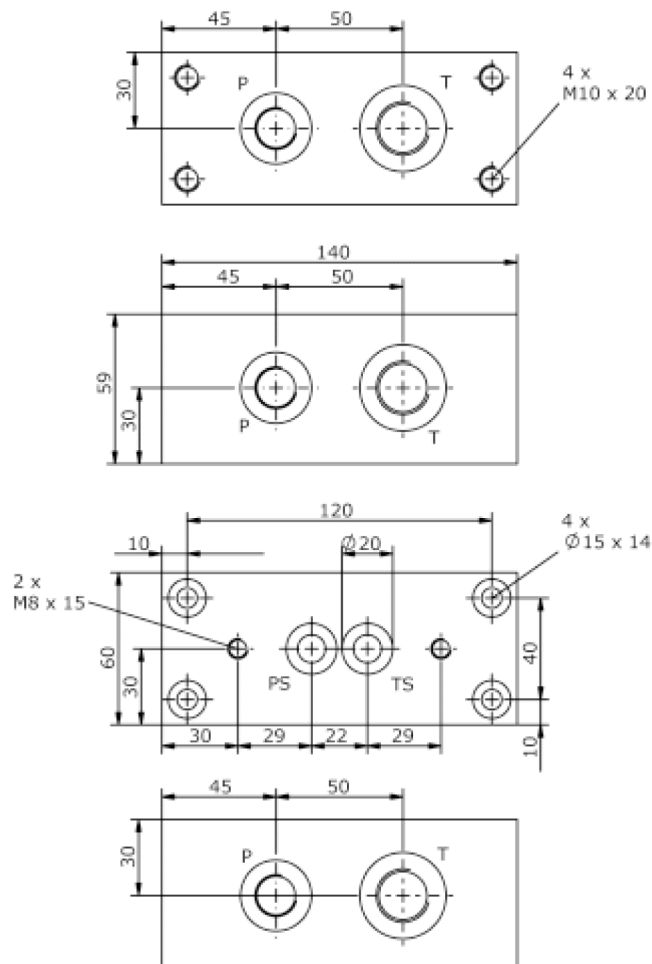
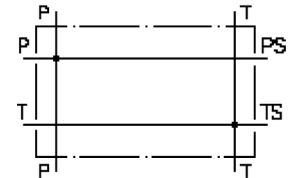


base block, stack valve, CETOP 3 (ports P and T at bottom, back, front) MBS-06.-B02/B..

IM-405-150-00

(subject to change)



base block, stack valve, CETOP 3 (ports P and T at bottom, back, front)

MBS-06.-B02/B..



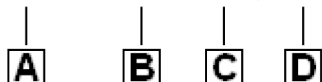
Motrac Hydraulik GmbH
Siemensring 87 - D-47877 Willich
fon +49-(0)2154-8162.0 - fax +49-(0)2154-8162.499
e-mail info.mhw@motrac-hydraulics.com
internet www.motrac-hydraulics.com

IM-405-150-00

(subject to change)

Ordering example:

MBS - 06A - B02 / B03



Model code:

- | | |
|---|---|
| A design
IMAV-stack system | C base manifold
base block |
| B size and material
06A = aluminum (F37)
06S = steel (9SMnPb28K resp. GGG-40) | D port size P and T
B03 = P: BSPP 3/8" and T: BSPP 1/2"
B04 = P: BSPP 1/2" and T: BSPP 3/4" |

Technical Data:

- | | |
|--------------------------|--|
| nominal pressure: | 210 bar (A)
350 bar (S) |
| weight: | 0.6 / 1.3 kg (A/S) |
| included: | included
2 pcs. O-Ring 15.10 x 2.70 |