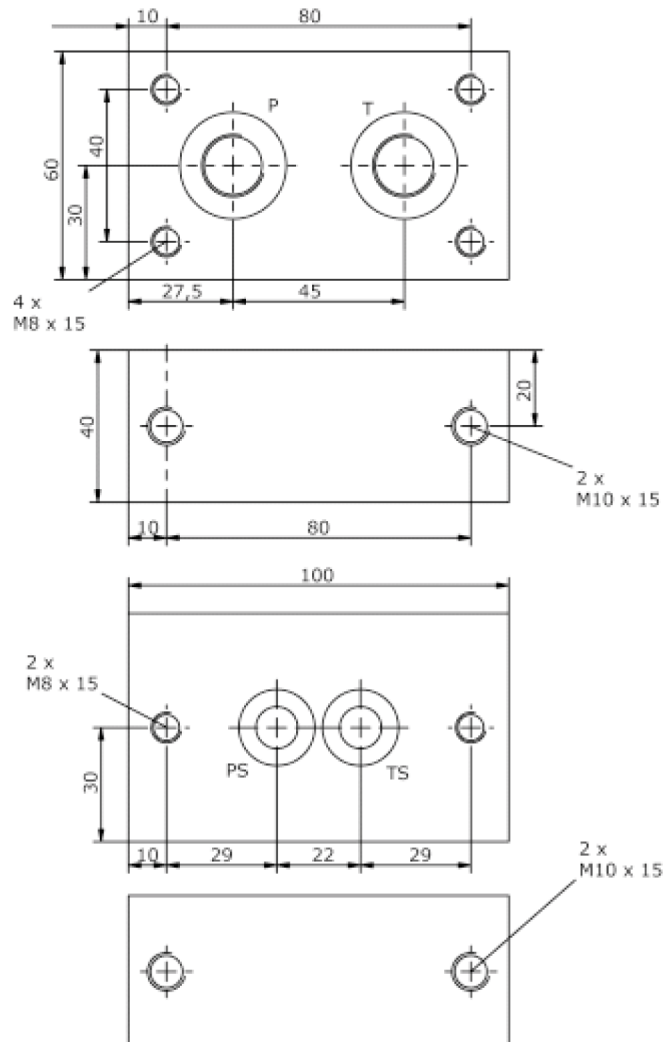
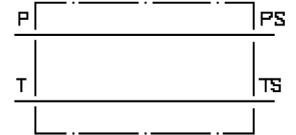


# base block, stack valve, CETOP 3 (ports P and T at bottom)

MBS-06.-B01/B..

**IM-405-100-00**

(subject to change)



# base block, stack valve, CETOP 3 (ports P and T at bottom)

MBS-06.-B01/B..



Motrac Hydraulik GmbH  
Siemensring 87 - D-47877 Willich  
fon +49-(0)2154-8162.0 - fax +49-(0)2154-8162.499  
e-mail info.mhw@motrac-hydraulics.com  
internet www.motrac-hydraulics.com

IM-405-100-00

(subject to change)

## Ordering example:

MBS - 06A - B01 / B03



## Model code:

- |   |   |
|---|---|
| <b>A</b> <b>design</b><br>IMAV-stack system   | <b>C</b> <b>base manifold</b><br>base block                             |
| <b>B</b> <b>size and material</b><br>06A = aluminum (F37)<br>06S = steel (9SMnPb28K resp. GGG-40) | <b>D</b> <b>port size P and T</b><br>B03 = BSPP 3/8"<br>B04 = BSPP 1/2" |

## Technical Data:

- |                          |  |
|--------------------------|--|
| <b>nominal pressure:</b> | 210 bar (A)<br>350 bar (S)             |
| <b>weight:</b>           | 0.6 / 1.3 kg (A/S)                     |
| <b>included:</b>         | included<br>2 pcs. O-Ring 15.10 x 2.70 |