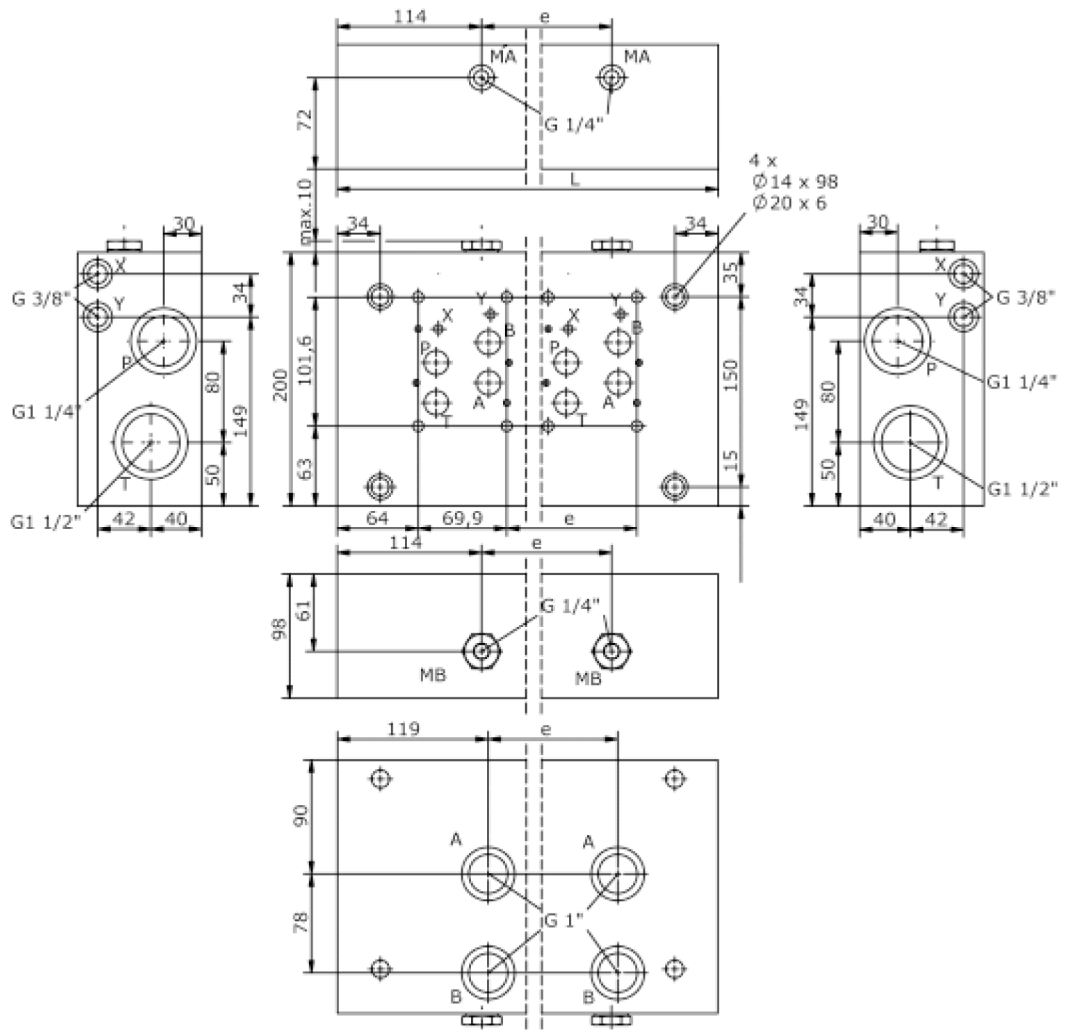
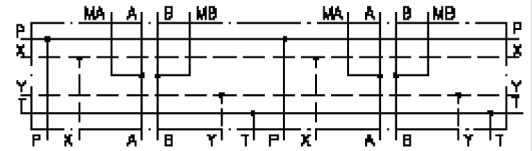


single mounting plate, CETOP 7 (with external pilot port)

MSP-16.-.-S-U-XY



single mounting plate, CETOP 7 (with external pilot port)

MSP-16.-S-U-XY



Motrac Hydraulik GmbH
Siemensring 87 - D-47877 Willich
fon +49-(0)2154-8162.0 - fax +49-(0)2154-8162.499
e-mail info.miw@motracindustries.com
internet www.motracindustries.com

IM-260-110-00

(subject to change)



Ordering example:

MSP - 16A - 3 - S - U - XY
| | | | | |
A **B** **C** **D** **E** **F**

Model code:

- | | |
|---|--|
| A design
multi station mounting subplate | D port P and T at the side
port P and T at the side |
| B size and material
16A = aluminum (F37)
16S = steel (9SMnPb28K resp. GGG-40) | E port A and B at the bottom
port A and B at the bottom |
| C qty. of directional valves
number of directional valves | F X and Y port
port X and Y |

Technical Data:

nominal pressure: 250 bar (A)
350 bar (S)

weight: