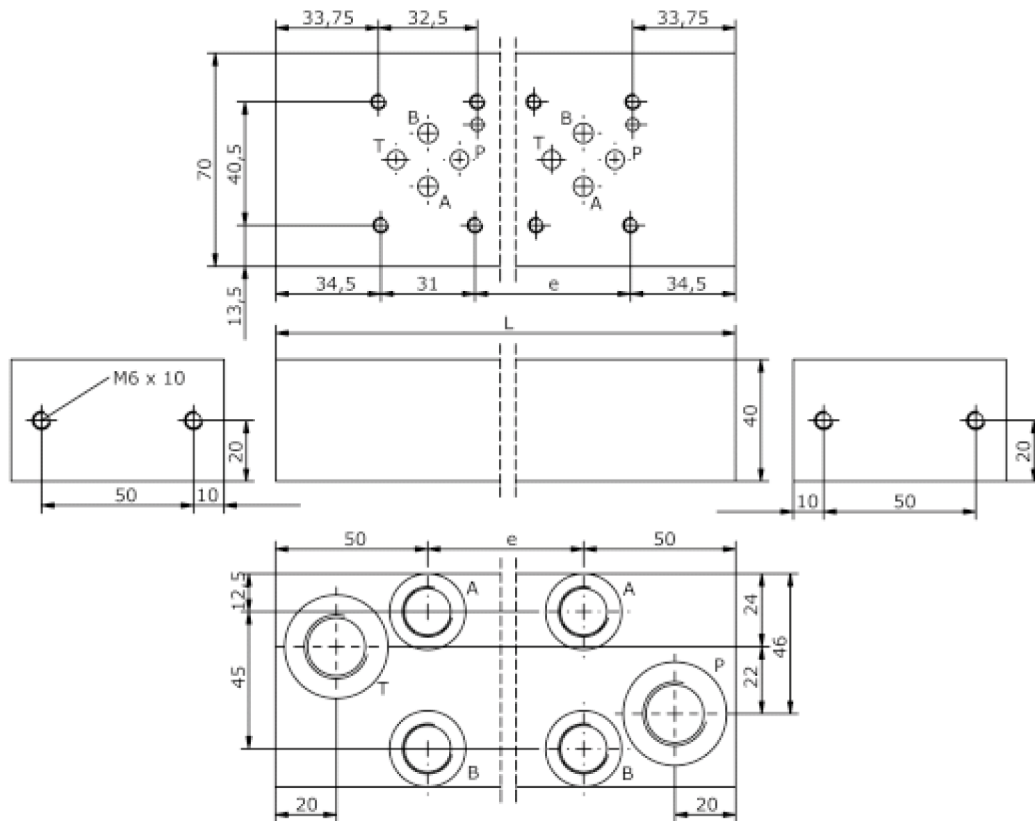
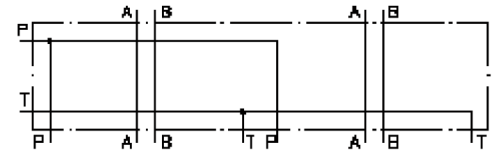


single mounting plate, CETOP 3 (all ports at bottom)

MSP-06.-.-U-B.-B..

IM-200-130-00

(subject to change)



single mounting plate, CETOP 3 (all ports at bottom)

MSP-06.-U-B.-B..



Motrac Hydraulik GmbH
Siemensring 87 - D-47877 Willich
fon +49-(0)2154-8162.0 - fax +49-(0)2154-8162.499
e-mail info.miw@motracindustries.com
internet www.motracindustries.com

IM-200-130-00

(subject to change)

Ordering example:

MSP - 06A - 6 - U - B04 - B03

A B C D E F

Model code:

- | | |
|---|---|
| A design
multi station mounting subplate | E port size P and T
B03 = BSPP 3/8"
B04 = BSPP 1/2" |
| B size and material
06A = aluminum (F37)
06S = steel (9SMnPb28K resp. GGG-40) | F port size A and B
B02 = BSPP 1/4"
B03 = BSPP 1/2" |
| C qty. of directional valves
number of directional valves | |
| D ports at the bottom
ports at the side | |

Technical Data:

nominal pressure: 250 bar (A)
350 bar (S)

weight: