

# single mounting plate, CETOP 3 (all ports at narrow side)

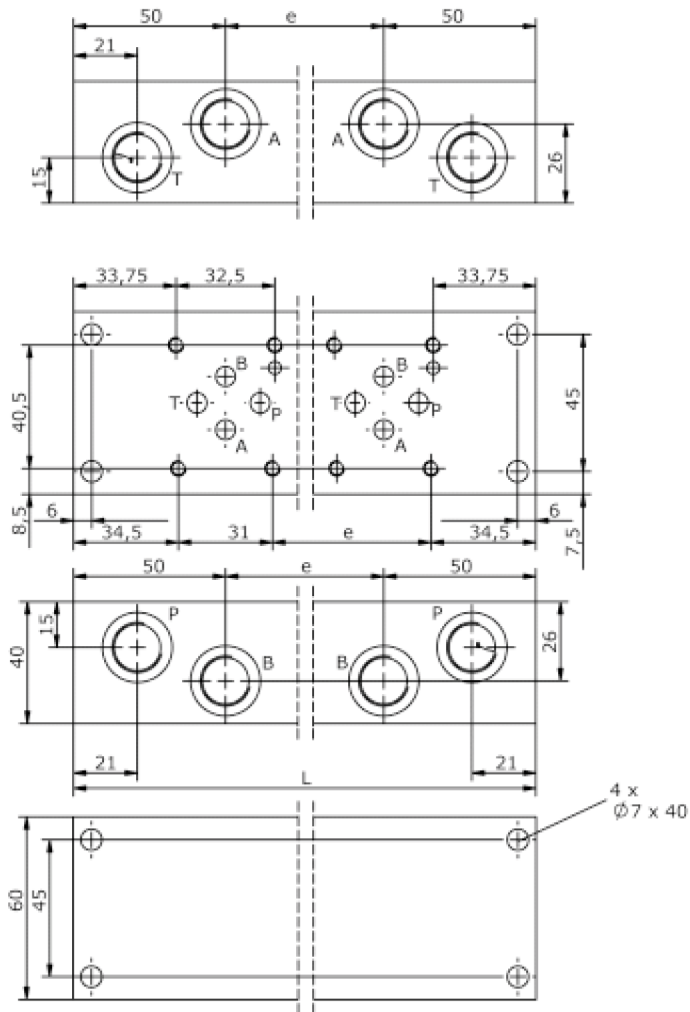
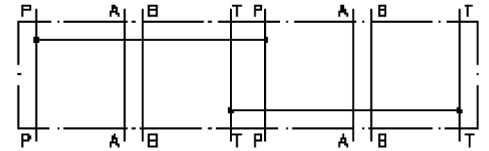
MSP-06.-.-S-B.-B..



Motrac Hydraulik GmbH  
Siemensring 87 - D-47877 Willich  
fon +49-(0)2154-8162.0 - fax +49-(0)2154-8162.499  
e-mail info.miw@motracindustries.com  
internet www.motracindustries.com

IM-200-120-00

(subject to change)



# single mounting plate, CETOP 3 (all ports at narrow side)

MSP-06.-.-S-B.-B..



Motrac Hydraulik GmbH  
Siemensring 87 - D-47877 Willich  
fon +49-(0)2154-8162.0 - fax +49-(0)2154-8162.499  
e-mail info.miw@motracindustries.com  
internet www.motracindustries.com

IM-200-120-00

(subject to change)



## Ordering example:

MSP - 06A - 6 - S - B04 - B03  
|        |        |        |        |        |  
**A**    **B**    **C**    **D**    **E**    **F**

## Model code:

- |   |   |
|---|---|
| <b>A</b> <b>design</b><br>multi station mounting subplate   | <b>E</b> <b>port size P and T</b><br>B03 = BSPP 3/8"<br>B04 = BSPP 1/2" |
| <b>B</b> <b>size and material</b><br>06A = aluminum (F37)<br>06S = steel (9SMnPb28K resp. GGG-40) | <b>F</b> <b>port size A and B</b><br>B02 = BSPP 1/4"<br>B03 = BSPP 1/2" |
| <b>C</b> <b>qty. of directional valves</b><br>number of directional valves                        |   |
| <b>D</b> <b>ports at the side</b><br>ports at the side  |   |

## Technical Data:

**nominal pressure:** 250 bar (A)  
350 bar (S)

**weight:**