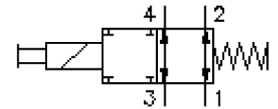


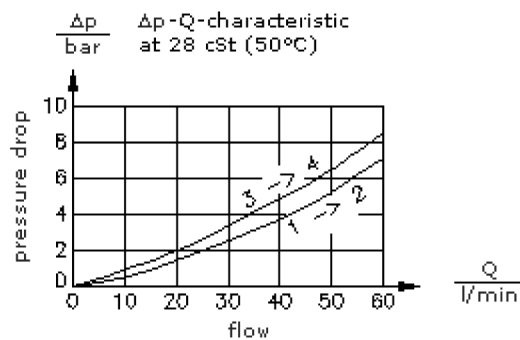
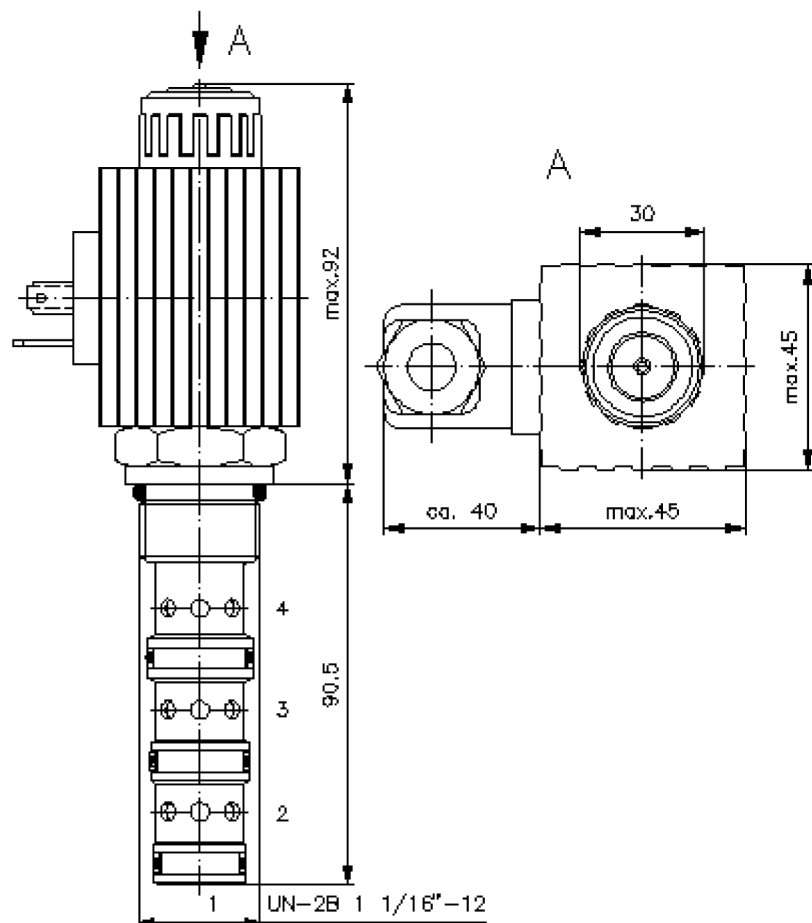
4 way, 2 position solenoid valve, poppet type

EMDV-12.-4C-0-.....



HEX 1 5/16"
(torque
cartridge:
95 - 100 Nm)

cavity:
C-12-4
see
data-sheet no.:
IK-400-129-00



4 way, 2 position solenoid valve, poppet type

EMDV-12.-4C-0-.....



Motrac Hydraulik GmbH
Siemensring 87 - D-47877 Willich
fon +49-(0)2154-8162.0 - fax +49-(0)2154-8162.499
e-mail info.mhw@motracindustries.com
internet www.motracindustries.com

CS-730-121-00

(subject to change)

BUCHER
hydraulics

Ordering example:

EMDV - 12N - 4C - 0 - 024D G
| | | | | |
A **B** **C** **D** **E** **F**

Model code:

- | | |
|---|--|
| <p>A design
solenoid valve
spool type valve
direct acting
with manual override</p> <p>B size and sealing
12N = Buna (NBR)
12V = Viton (FPM)</p> <p>C symbol function mode
4 = 4-way 2 position valve
C = free flow from 1 to 2 and from 3 to 4</p> <p>D construction
0 = screw-in valve</p> | <p>E voltage
DC current:
012D = 12V DC
024D = 24V DC
AC current:
120A = 120V AC
240A = 240V AC
other voltage on request</p> <p>F power supply
G = DIN 43650 connector, other
connectors see data sheet no.: CS-010-
000-00</p> |
|---|--|

Technical Data:

nominal pressure:	350 bar
nominal flow:	60 l/min
weight:	0.97 kg
temperature range:	-40°C to 120°C
fluids:	hydraulic oil as per DIN 51524 T1 (ISO TC 131)
max. leakage:	85 ccm/min at 22 cSt (50°C) and 350 bar
seals:	optional Buna (NBR) or Viton (FPM), as well as Teflon wascher (PTFE)
power consumption:	36 W
response times:	with 100% change of current, nominal pressure and approx. 80% of the flow open: 50 ms close: 50 ms
cavity:	C-12-4 see datasheet no. IK-400-129-00 Review note!
housing:	4LH-12.-B.. see datasheet no. IH-400-000-00
option:	adjustable manual override see datasheet no. CS-020-000-00
seal kit:	SP-CDS-12N-46 (NBR), SP-CDS-12V-46 (FPM)