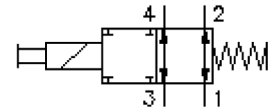


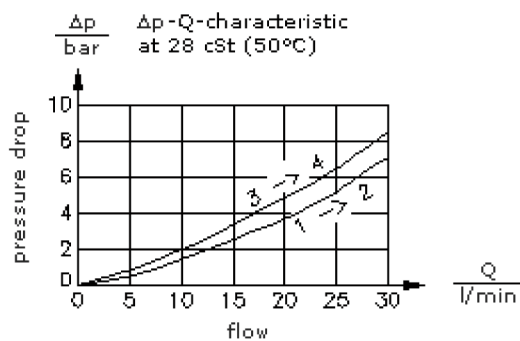
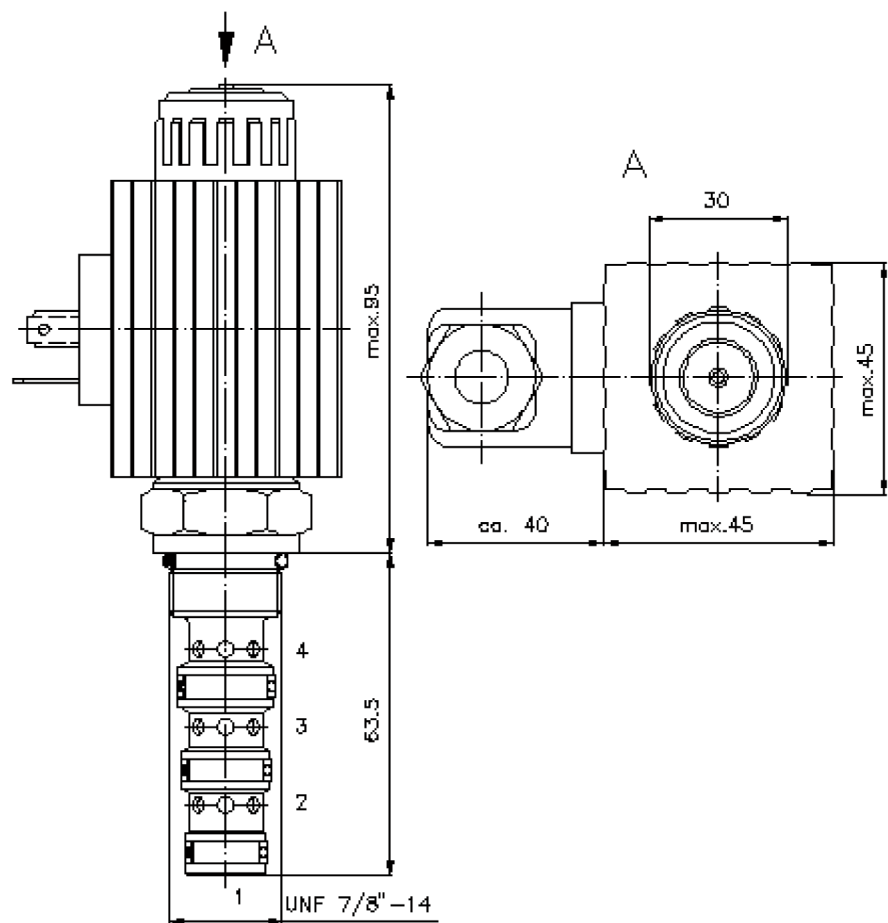
# 4 way, 2 position solenoid valve, poppet type

EMDV-10.-4C-0-.....



HEX 27mm  
(torque  
cartridge:  
48 - 54 Nm)

cavity: C-10-4  
see  
data-sheet no.:  
IK-400-109-00



# 4 way, 2 position solenoid valve, poppet type

EMDV-10.-4C-0-.....



Motrac Hydraulik GmbH  
Siemensring 87 - D-47877 Willich  
fon +49-(0)2154-8162.0 - fax +49-(0)2154-8162.499  
e-mail info.mhw@motracindustries.com  
internet www.motracindustries

CS-730-101-00

(subject to change)

**BUCHER**  
hydraulics

## Ordering example:

EMDV - 10N - 4C - 0 - 024D G  
| | | | | |  
**A** **B** **C** **D** **E** **F**

## Model code:

- |   |   |
|---|---|
| <b>A</b> <b>design</b><br>solenoid valve<br>spool type valve<br>direct acting<br>with manual override           | <b>E</b> <b>voltage</b><br>DC current:<br>012D = 12V DC<br>024D = 24V DC<br>AC current:<br>120A = 120V AC<br>240A = 240V AC<br>other voltage on request |
| <b>B</b> <b>size and sealing</b><br>10N = Buna (NBR)<br>10V = Viton (FPM)                                       | <b>F</b> <b>power supply</b><br>G = DIN 43650 connector, other<br>connectors see data sheet no.: CS-010-<br>000-00                                      |
| <b>C</b> <b>symbol function mode</b><br>4 = 4-way 2 position valve<br>C = free flow from 1 to 2 and from 3 to 4 |   |
| <b>D</b> <b>construction</b><br>0 = screw-in valve  |   |

## Technical Data:

<b>nominal pressure:</b>	350 bar
<b>nominal flow:</b>	30 l/min
<b>weight:</b>	0.91 kg
<b>temperature range:</b>	-40°C to 120°C
<b>fluids:</b>	hydraulic oil as per DIN 51524 T1 (ISO TC 131)
<b>max. leakage:</b>	85 ccm/min at 22 cSt (50°C) and 350 bar
<b>seals:</b>	optional Buna (NBR) or Viton (FPM), as well as Teflon wascher (PTFE)
<b>power consumption:</b>	36 W
<b>response times:</b>	with 100% change of current, nominal pressure and approx. 80% of the flow open: 50 ms close: 50 ms
<b>cavity:</b>	C-10-4 see datasheet no. <u>IK-400-109-00</u> Review note!
<b>housing:</b>	4LH-10.-B.. see datasheet no. <u>IH-400-000-00</u>
<b>option:</b>	adjustable manual override see datasheet no. CS-020-000-00
<b>seal kit:</b>	SP-CDS-10N-46 (NBR), SP-CDS-10V-46 (FPM)