

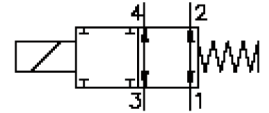
# 4 way, 2 position solenoid valve, poppet type

EMDV-08.-4L-0-.....

**CS-730-081-00**

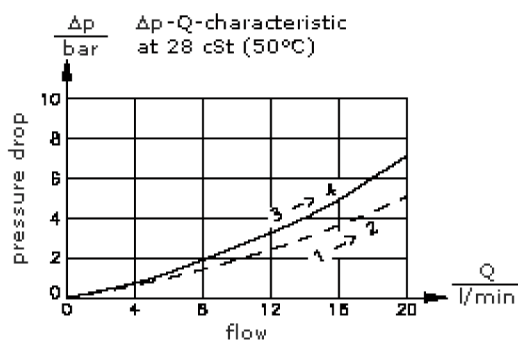
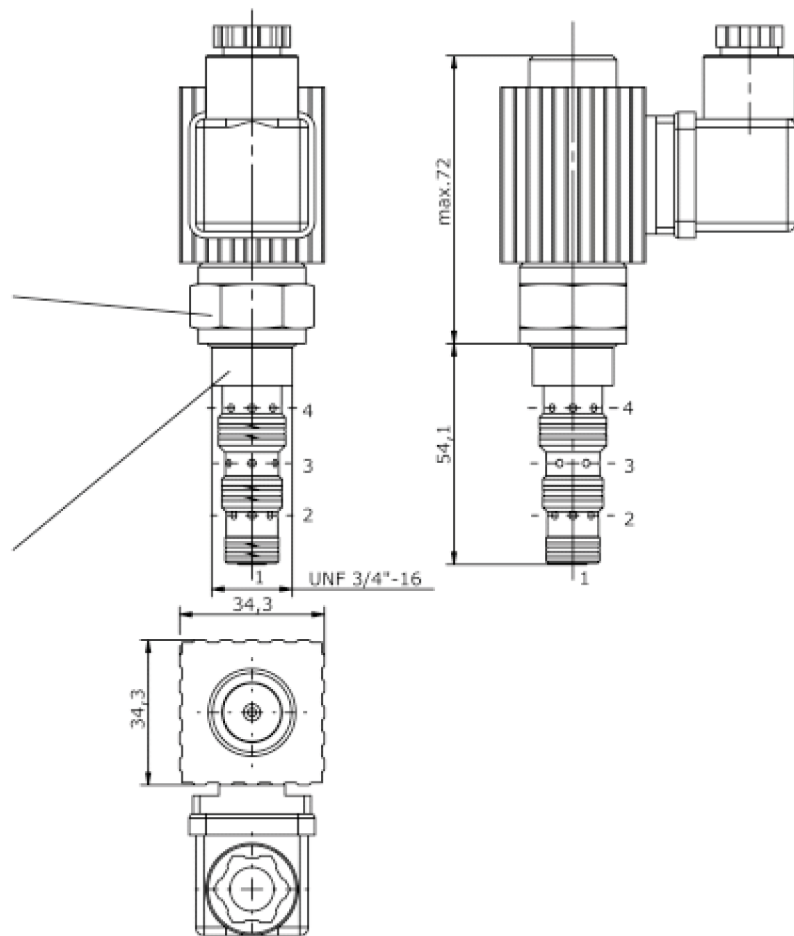
(subject to change)

**BUCHER**  
hydraulics



HEX 1"  
(torque  
cartridge:  
48 - 54 Nm)

cavity:  
C-08-4  
see  
data-sheet no.:  
IK-400-089-00



# 4 way, 2 position solenoid valve, poppet type

EMDV-08.-4L-0-.....



Motrac Hydraulik GmbH  
Siemensring 87 - D-47877 Willich  
fon +49-(0)2154-8162.0 - fax +49-(0)2154-8162.499  
e-mail info.mhw@motracindustries.com  
internet www.motracindustries

CS-730-081-00

(subject to change)

**BUCHER**  
hydraulics

## Ordering example:

EMDV - 08N - 4L - 0 024D G  
| | | | | |  
**A** **B** **C** **D** **E** **F**

## Model code:

- |  |  |
|--|--|
| <p><b>A</b> <b>design</b><br/>solenoid valve<br/>spool type valve<br/>direct acting</p> <p><b>B</b> <b>size and sealing</b><br/>08N = Buna (NBR)<br/>08V = Viton (FPM)</p> <p><b>C</b> <b>symbol function mode</b><br/>4 = 4-way 2 position valve<br/>L = free flow from 1 to 2 and from 3 to 4</p> <p><b>D</b> <b>construction</b><br/>0 = screw-in valve</p> | <p><b>E</b> <b>voltage</b><br/>DC current:<br/>012D = 12V DC<br/>024D = 24V DC<br/>AC current:<br/>120A = 120V AC<br/>240A = 240V AC<br/>other voltage on request</p> <p><b>F</b> <b>power supply</b><br/>G = DIN 43650 connector, other<br/>connectors see data sheet no.: CS-010-<br/>000-00</p> |
|--|--|

## Technical Data:

<b>nominal pressure:</b>	350 bar
<b>nominal flow:</b>	19 l/min
<b>weight:</b>	0.44 kg
<b>temperature range:</b>	-40°C to 120°C
<b>fluids:</b>	hydraulic oil as per DIN 51524 T1 (ISO TC 131)
<b>max. leakage:</b>	85 ccm/min at 22 cSt (50°C) and 350 bar
<b>seals:</b>	optional Buna (NBR) or Viton (FPM), as well as Teflon wascher (PTFE)
<b>power consumption:</b>	22 W
<b>response times:</b>	with 100% change of current, nominal pressure and approx. 80% of the flow open: 50 ms close: 50 ms
<b>cavity:</b>	C-08-4 see datasheet no. <a href="#">IK-400-089-00</a>
<b>housing:</b>	4LH-08.-B.. see datasheet no. <a href="#">IH-400-000-00</a>
<b>seal kit:</b>	SP-CDS-08N-46 (NBR), SP-CDS-08V-46 (FPM)