

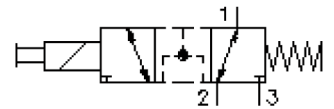
# 3 way, 2 position solenoid valve, poppet type

EMDV-10.-3D-0-.....

**CS-640-101-00**

(subject to change)

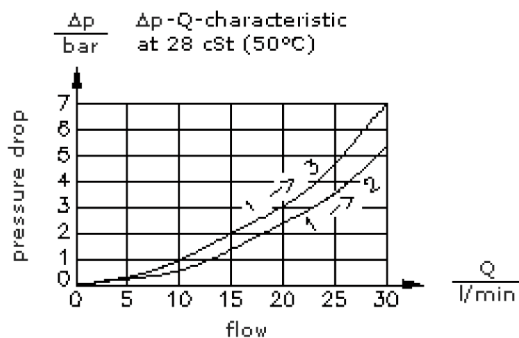
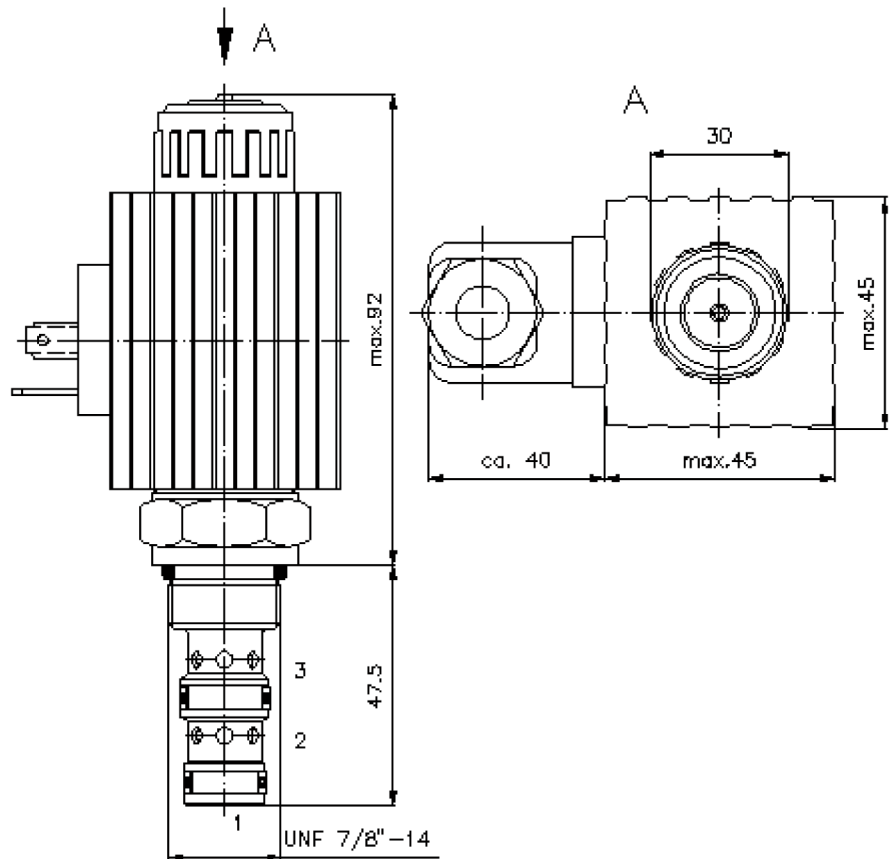
**BUCHER**  
hydraulics



(open center position)

HEX 27mm  
(torque  
cartridge:  
48 - 54 Nm)

cavity:  
C-10-3  
see  
data-sheet no.:  
IK-300-109-00



# 3 way, 2 position solenoid valve, poppet type

EMDV-10.-3D-0-.....



Motrac Hydraulik GmbH  
Siemensring 87 - D-47877 Willich  
fon +49-(0)2154-8162.0 - fax +49-(0)2154-8162.499  
e-mail info.mhw@motracindustries.com  
internet www.motracindustries.com

CS-640-101-00

(subject to change)

**BUCHER**  
hydraulics

## Ordering example:

EMDV - 10N - 3D - 0 - 024D G  
|        |        |        |        |        |  
**A**    **B**    **C**    **D**    **E**    **F**

## Model code:

- |   |  |
|---|--|
| <p><b>A design</b><br/>solenoid valve<br/>spool type valve<br/>direct acting<br/>with manual override</p> <p><b>B size and sealing</b><br/>10N = Buna (NBR)<br/>10V = Viton (FPM)</p> <p><b>C symbol function mode</b><br/>3 = 3-way 2 position valve<br/>D = piston shape (open center position)</p> <p><b>D construction</b><br/>0 = screw-in valve</p> | <p><b>E voltage</b><br/>DC current:<br/>012D = 12V DC<br/>024D = 24V DC<br/>AC current:<br/>120A = 120V AC<br/>240A = 240V AC<br/>other voltage on request</p> <p><b>F power supply</b><br/>G = DIN 43650 connector, other<br/>connectors see data sheet no.: CS-010-<br/>000-00</p> |
|---|--|

## Technical Data:

<b>nominal pressure:</b>	350 bar
<b>nominal flow:</b>	30 l/min
<b>weight:</b>	0.88 kg
<b>temperature range:</b>	-40°C to 120°C
<b>fluids:</b>	hydraulic oil as per DIN 51524 T1 (ISO TC 131)
<b>max. leakage:</b>	85 ccm/min at 22 cSt (50°C) and 350 bar
<b>seals:</b>	optional Buna (NBR) or Viton (FPM), as well as Teflon wascher (PTFE)
<b>power consumption:</b>	36 W
<b>response times:</b>	with 100% change of current, nominal pressure and approx. 80% of the flow open: 50 ms close: 50 ms
<b>cavity:</b>	C-10-3 see datasheet no. <a href="#">IK-300-109-00</a>
<b>housing:</b>	3LH-10.-B.. see datasheet no. <a href="#">IH-300-000-00</a>
<b>option:</b>	adjustable manual override see datasheet no. CS-020-000-00
<b>seal kit:</b>	SP-CDS-10N-34(NBR), SP-CDS-10V-34(FPM)