

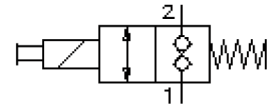
# 2 way, 2 position solenoid valve, poppet type (normally closed)

EMDV-10.-C3-0-.....

CS-310-101-00

(subject to change)

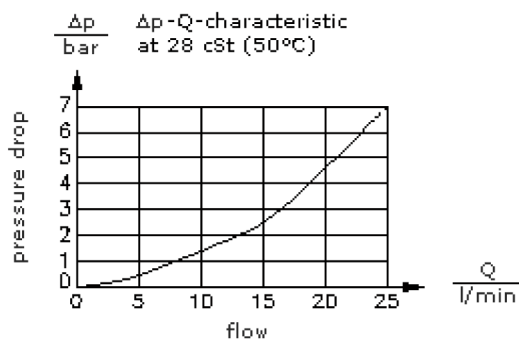
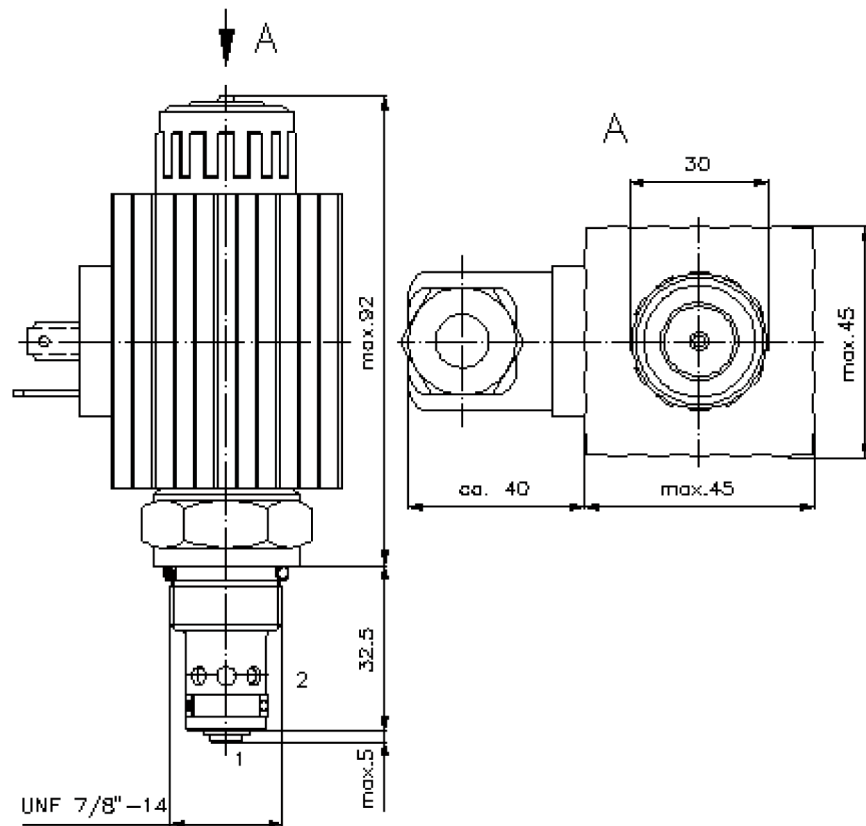
**BUCHER**  
hydraulics



HEX 27mm  
(torque  
cartridge:  
48 - 54 Nm)

cavity:  
C-10-2  
see  
data-sheet no.:  
[IK-100-109-00](#)

Attention:  
Please see note at  
data-sheet no.:  
[IK-200-109-00](#) !



# 2 way, 2 position solenoid valve, poppet type (normally closed)

EMDV-10.-C3-0-.....



Motrac Hydraulik GmbH  
Siemensring 87 - D-47877 Willich  
fon +49-(0)2154-8162.0 - fax +49-(0)2154-8162.499  
e-mail info.miw@motracindustries.com  
internet www.motracindustries.com

CS-310-101-00

(subject to change)

**BUCHER**  
hydraulics

## Ordering example:

EMDV - 10N - C3 - 0 - 024D G  
|            |            |            |            |            |  
**A**        **B**        **C**        **D**        **E**        **F**

## Model code:

**A design**  
solenoid valve  
poppet type valve  
direct acting  
with manual override

**B size and sealing**  
10N = Buna (NBR)  
10V = Viton (FPM)

**C symbol function mode**  
C3 = normally closed

**D construction**  
0 = screw-in valve

**E voltage**  
DC current:  
012D = 12V DC  
024D = 24V DC  
AC current:  
120A = 120V AC  
240A = 240V AC  
other voltage on request

**F power supply**  
G = DIN 43650 connector, other  
connectors see data sheet no.: CS-010-  
000-00

## Technical Data:

<b>nominal pressure:</b>	350 bar
<b>nominal flow:</b>	22 l/min
<b>weight:</b>	0.86 kg
<b>temperature range:</b>	-40°C to 120°C
<b>fluids:</b>	hydraulic oil as per DIN 51524 T1 (ISO TC 131)
<b>max. leakage:</b>	5 drops/min at 22 cSt (50°C) and 350 bar
<b>seals:</b>	optional Buna (NBR) or Viton (FPM), as well as Teflon wascher (PTFE)
<b>power consumption:</b>	36 W
<b>response times:</b>	with 100% change of current, nominal pressure and approx. 80% of the flow open: 50 ms close: 50 ms
<b>cavity:</b>	C-10-2 see datasheet no. <a href="#">IK-100-109-00</a>
<b>housing:</b>	2LH-10.-B.. see datasheet no. <a href="#">IH-100-000-00</a>
<b>option:</b>	adjustable manual override see datasheet no. CS-020-000-00
<b>seal kit:</b>	SP-CDS-10N-22 (NBR), SP-CDS-10V-22 (FPM)