

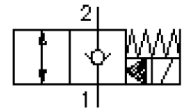
# 2 way, 2 position solenoid valve, poppet type (normally closed)

EMDV-12.-C4-0-.....

**CS-280-121-00**

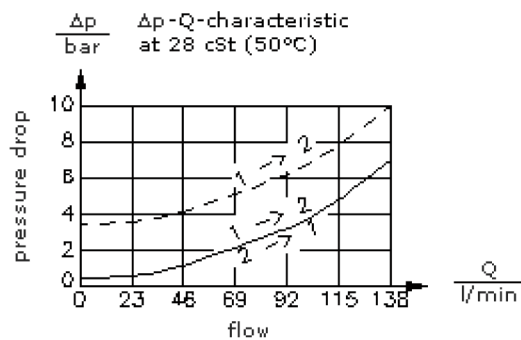
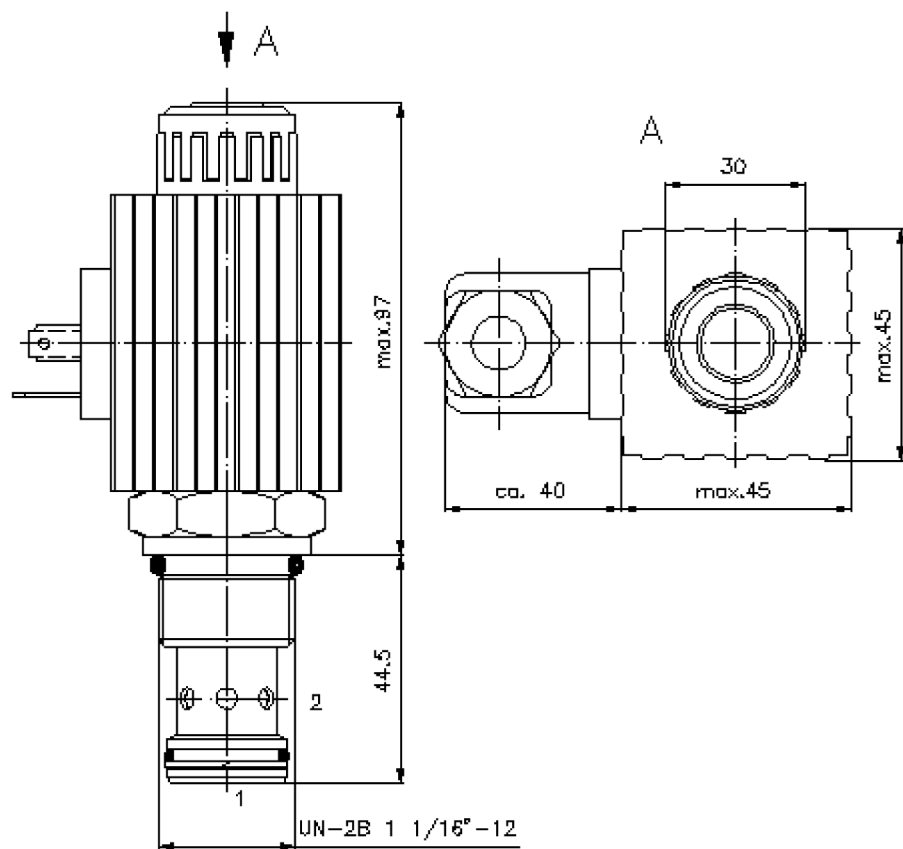
(subject to change)

**BUCHER**  
hydraulics



HEX 1 5/16"  
(torque  
cartridge:  
95 - 100 Nm)

cavity:  
C-12-2  
see  
data-sheet no.:  
IK-100-129-00



# 2 way, 2 position solenoid valve, poppet type (normally closed)

EMDV-12.-C4-0-.....



Motrac Hydraulik GmbH  
Siemensring 87 - D-47877 Willich  
fon +49-(0)2154-8162.0 - fax +49-(0)2154-8162.499  
e-mail info.miw@motracindustries.com  
internet www.motracindustries.com

CS-280-121-00

(subject to change)

**BUCHER**  
hydraulics

## Ordering example:

EMDV - 12N - C4 - 0 - 024D G  
| | | | | |  
**A** **B** **C** **D** **E** **F**

## Model code:

- A design**  
solenoid valve  
poppet type valve  
pilot operated
- B size and sealing**  
12N = Buna (NBR)  
12V = Viton (FPM)
- C symbol function mode**  
C4 = normally closed
- D construction**  
0 = screw-in valve
- E voltage**  
DC current:  
012D = 12V DC  
024D = 24V DC  
AC current:  
120A = 120V AC  
240A = 240V AC  
other voltage on request
- F power supply**  
G = DIN 43650 connector, other  
connectors see data sheet no.: CS-010-  
000-00

## Technical Data:

|                           |  |
|---------------------------|--|
| <b>nominal pressure:</b>  | 350 bar  |
| <b>nominal flow:</b>      | 136 l/min  |
| <b>weight:</b>            | 0.9 kg   |
| <b>temperature range:</b> | -40°C to 120°C   |
| <b>fluids:</b>            | hydraulic oil as per DIN 51524 T1 (ISO TC 131)   |
| <b>max. leakage:</b>      | 5 drops/min at 22 cSt (50°C) and 350 bar   |
| <b>seals:</b>             | optional Buna (NBR) or Viton (FPM), as well as Teflon wascher (PTFE)                                     |
| <b>power consumption:</b> | 36 W   |
| <b>response times:</b>    | with 100% change of current, nominal pressure and approx. 80% of the flow<br>open: 50 ms<br>close: 50 ms |
| <b>cavity:</b>            | C-12-2 see datasheet no. <a href="#">IK-100-129-00</a>   |
| <b>housing:</b>           | 2LH-12.-B.. see datasheet no. <a href="#">IH-100-000-00</a>  |
| <b>seal kit:</b>          | SP-CDS-12N-21 (NBR), SP-CDS-12V-21 (FPM)   |