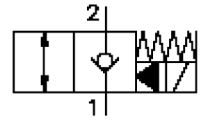


2 way, 2 position solenoid valve, poppet type (normally closed) EMDV-08.-C7-0-.....

CS-210-081-00

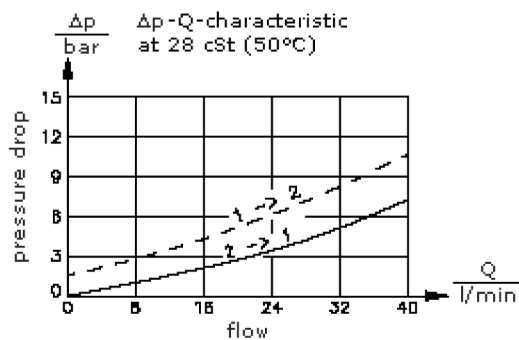
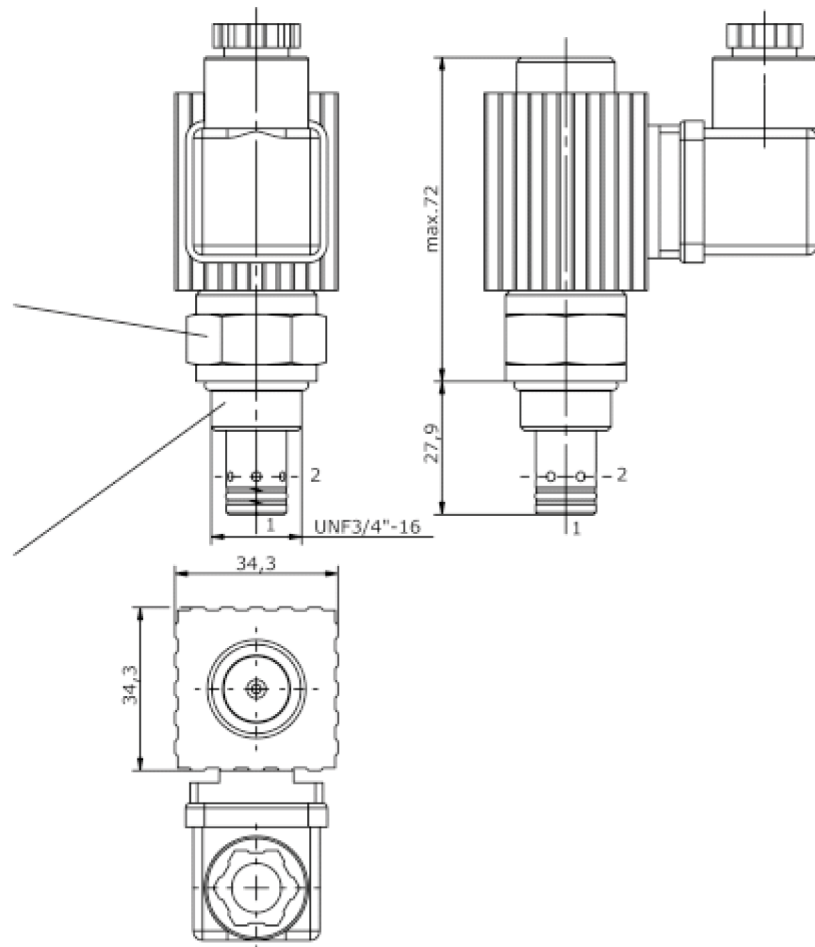
(subject to change)

BUCHER
hydraulics



HEX 1"
(torque
cartridge:
48 - 54 Nm)

cavity:
C-08-2
see
data-sheet no.:
[IK-100-089-00](#)



2 way, 2 position solenoid valve, poppet type (normally closed)

EMDV-08.-C7-0-.....



Motrac Hydraulik GmbH
Siemensring 87 - D-47877 Willich
fon +49-(0)2154-8162.0 - fax +49-(0)2154-8162.499
e-mail info.miw@motracindustries.com
internet www.motracindustries.com

CS-210-081-00

(subject to change)

BUCHER
hydraulics

Ordering example:

EMDV - 08N - C7 - 0 024D G
| | | | | |
A **B** **C** **D** **E** **F**

Model code:

- A design**
solenoid valve
poppet type valve
pilot operated
- B size and sealing**
08N = Buna (NBR)
08V = Viton (FPM)
- C symbol function mode**
C7 = normally closed
- D construction**
0 = screw-in valve
- E voltage**
DC current:
012D = 12V DC
024D = 24V DC
AC current:
120A = 120V AC
240A = 240V AC
other voltage on request
- F power supply**
G = DIN 43650 connector, other
connectors see data sheet no.: CS-010-
000-00

Technical Data:

nominal pressure:	350 bar
nominal flow:	38 l/min
weight:	0.36 kg
temperature range:	-40°C to 120°C
fluids:	hydraulic oil as per DIN 51524 T1 (ISO TC 131)
max. leakage:	5 drops/min at 22 cSt (50°C) and 350 bar
seals:	optional Buna (NBR) or Viton (FPM), as well as Teflon wascher (PTFE)
power consumption:	22 W
response times:	with 100% change of current, nominal pressure and approx. 80% of the flow open: 50 ms close: 50 ms
cavity:	C-08-2 see datasheet no. IK-100-089-00
housing:	2LH-08.-B.. see datasheet no.: IH-100-000-00
seal kit:	SP-CDS-08N-21 (NBR), SP-CDS-08V-21 (FPM)