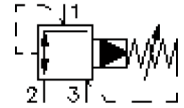


# 3-way pressure reducing screw-in valve (pilot operated, adjustable)

PRRS-12.-.-0-..

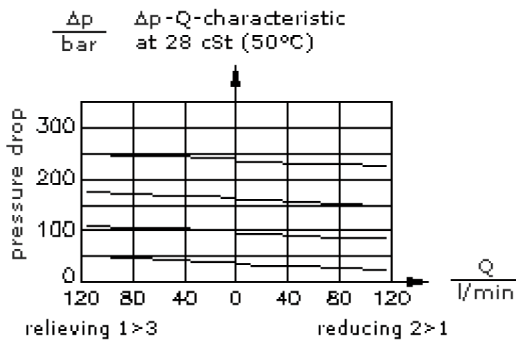
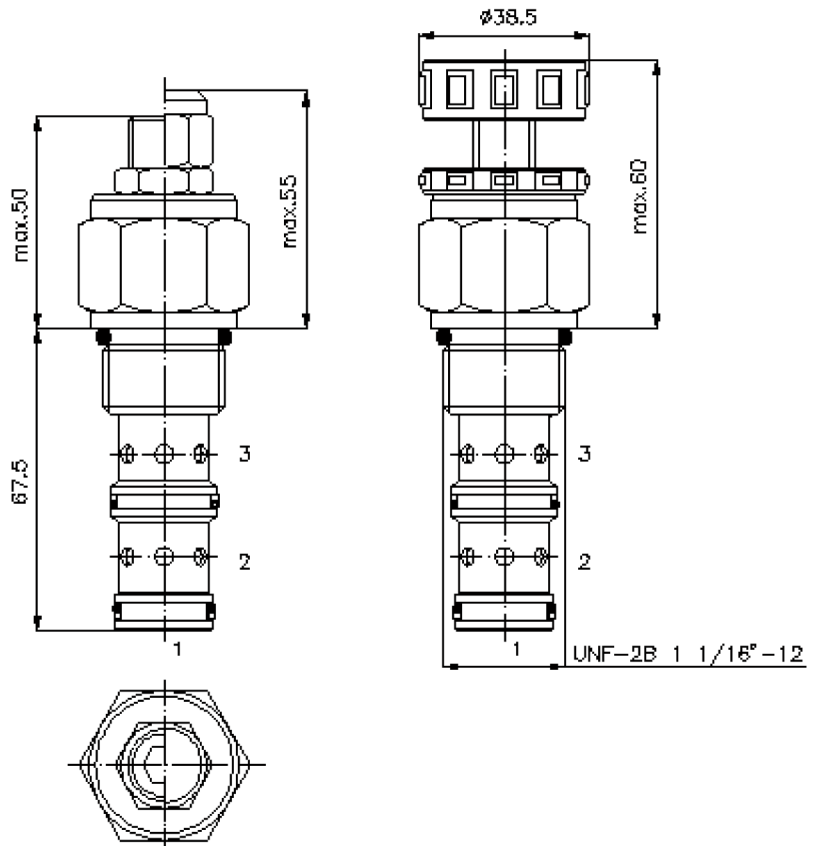


HEX 1"

HEX 1 5/16"  
(torque  
cartridge:  
95 - 100 Nm)

cavity:  
C-12-3  
see  
data-sheet no.:  
[IK-300-129-00](#)

HEW 8 mm



# 3-way pressure reducing screw-in valve (pilot operated, adjustable)

PRRS-12.-.-0-..



Motrac Hydraulik GmbH  
Siemensring 87 - D-47877 Willich  
fon +49-(0)2154-8162.0 - fax +49-(0)2154-8162.499  
e-mail info.miw@motracindustries.com  
internet www.motracindustries.com

CP-210-121-00

(subject to change)

**BUCHER**  
hydraulics

## Ordering example:

PRRS - 12N - C - 0 - 30  
|        |        |        |        |  
**A**    **B**    **C**    **D**    **E**

## Model code:

- |  |  |
|--|--|
| <b>A</b> <b>design</b><br>pressure regulator valve<br>spool type valve<br>pilot operated | <b>D</b> <b>construction</b><br>0 = screw-in valve   |
| <b>B</b> <b>size and sealing</b><br>12N = Buna (NBR)<br>12V = Viton (FPM)                | <b>E</b> <b>pressure range</b><br>15 = 3.4 - 105 bar<br>30 = 3.4 - 210 bar<br>50 = 3.4 - 350 bar |
| <b>C</b> <b>adjustment</b><br>S = screw adjustment<br>C = cap<br>K = handknob            |  |

## Technical Data:

<b>nominal pressure:</b>	350 bar
<b>nominal flow:</b>	90 l/min
<b>weight:</b>	0.26 kg
<b>temperature range:</b>	-40°C to 120°C
<b>fluids:</b>	hydraulic oil as per DIN 51524 T1 (ISO TC 131)
<b>max. leakage:</b>	85 ccm/min at 28.5 cSt (50°C) and 85 % crack pressure
<b>seals:</b>	optional Buna (NBR) or Viton (FPM), as well as Teflon wascher (PTFE)
<b>crack pressure:</b>	adjustment will be determined at a flow of 0.25 l/min
<b>cavity:</b>	C-12-3 see datasheet no. <a href="#">IK-300-129-00</a>
<b>housing:</b>	3LH-12.-B.. see datasheet no. <a href="#">IH-300-000-00</a>
<b>seal kit:</b>	SP-CDS-12N-32 (NBR), SP-CDS-12V-32 (FPM)