

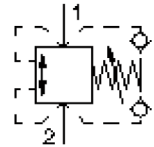
bi-direction pressure relief valve, screw-in type (direct acting, adjustable)

RVBD-12.-.-0-..

CP-150-121-00

(subject to change)

BUCHER
hydraulics

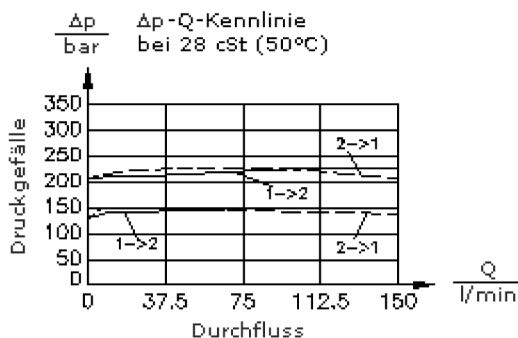
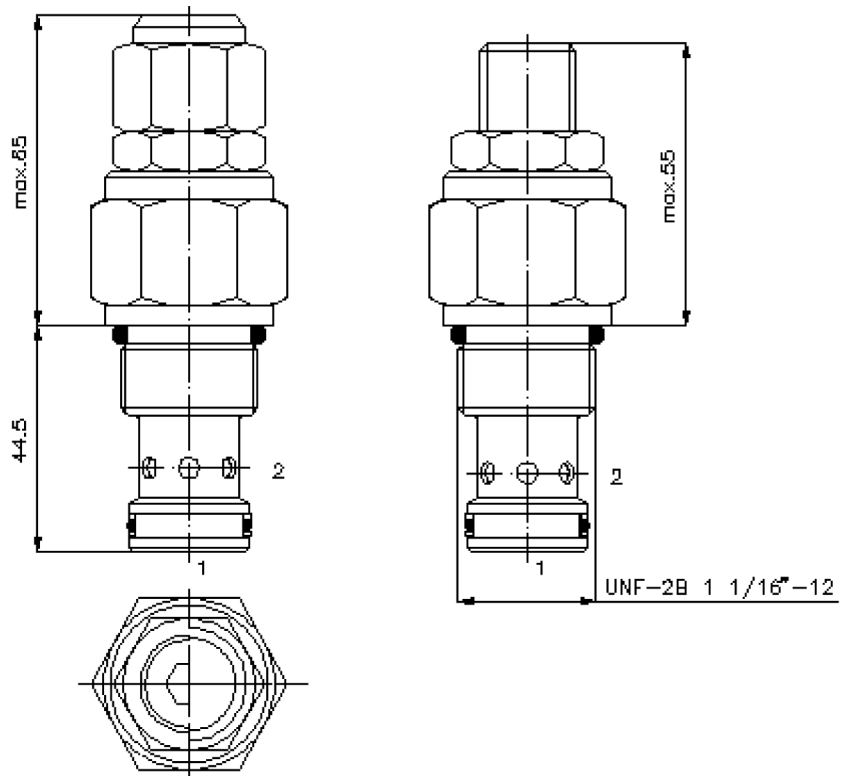


SW 1"

SW 1 5/16"
(Anzugs-
Drehmoment:
95 - 100 Nm)

Aufnahme-
bohrung
C-12-2
siehe
Massblatt-Nr.:
IK-100-129-00

SW 8 mm



bi-direction pressure relief valve, screw-in type (direct acting, adjustable)

RVBD-12.-.-0-..



Motrac Hydraulik GmbH
Siemensring 87 - D-47877 Willich
fon +49-(0)2154-8162.0 - fax +49-(0)2154-8162.499
e-mail info.miw@motracindustries.com
internet www.motracindustries.com

BUCHER
hydraulics

CP-150-121-00

(subject to change)

Ordering example:

RVBD - 12N - C - 0 30
| | | | |
A **B** **C** **D** **E**

Model code:

- | | |
|---|--|
| A design
bi-directional relief-valve
poppet type valve
direct acting | D construction
0 = screw-in valve |
| B size and sealing
12N = Buna (NBR)
12V = Viton (FPM) | E pressure range
15 = 7.0 - 105 bar
30 = 21.0 - 210 bar
50 = 35.0 - 350 bar |
| C adjustment
S = screw adjustment
C = cap
K = handknob | |

Technical Data:

nominal pressure:	350 bar
nominal flow:	150 l/min
weight:	0.34 kg
temperature range:	-40°C to 120°C
fluids:	hydraulic oil as per DIN 51524 T1 (ISO TC 131)
max. leakage:	85 ccm/min at 28.5 cSt (50°C) and 85 % crack pressure
seals:	optional Buna (NBR) or Viton (FPM), as well as Teflon wascher (PTFE)
crack pressure:	adjustment will be determined at a flow of 0.25 l/min
cavity:	C-12-2 see datasheet no. IK-100-129-00
housing:	2LH-12.-B.. see datasheet no. IH-100-000-00
seal kit:	SP-CDS-12N-22 (NBR), SP-CDS-12V-22 (FPM)