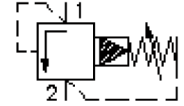


# pressure relief valve, screw-in type (pilot operated, adjustable)

RVPS-12.-.-0-..

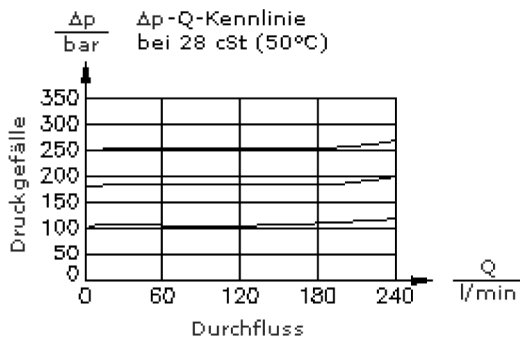
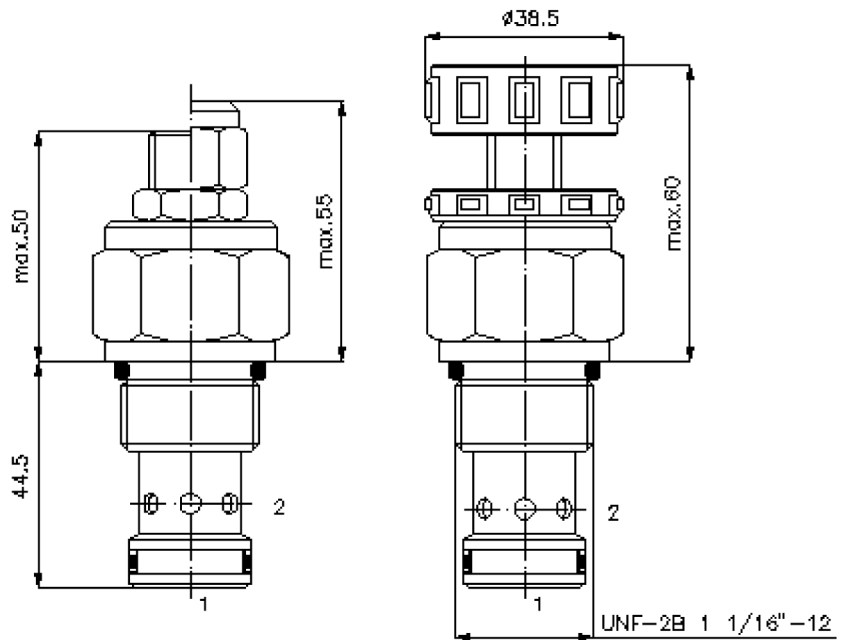


SW 1"

SW 1 5/16"  
(Anzugs-  
Drehmoment:  
95 - 100 Nm)

Aufnahme-  
bohrung  
C-12-2  
siehe  
Massblatt-Nr.:  
IK-100-129-00

SW 8 mm



# pressure relief valve, screw-in type (pilot operated, adjustable)

RVPS-12.-.-0-..

**BUCHER**  
hydraulics



Motrac Hydraulik GmbH  
Siemensring 87 - D-47877 Willich  
fon +49-(0)2154-8162.0 - fax +49-(0)2154-8162.499  
e-mail info.miw@motracindustries.com  
internet www.motracindustries.com

**CP-110-121-00**

(subject to change)

## Ordering example:

RVPS - 12N - C - 0 - 30  
|        |        |        |        |  
**A**    **B**    **C**    **D**    **E**

## Model code:

- |   |   |
|---|---|
| <p><b>A</b> <b>design</b><br/>relief-valve<br/>spool type valve<br/>pilot operated</p> <p><b>B</b> <b>size and sealing</b><br/>12N = Buna (NBR)<br/>12V = Viton (FPM)</p> <p><b>C</b> <b>adjustment</b><br/>S = screw adjustment<br/>C = cap<br/>K = handknob</p> | <p><b>D</b> <b>construction</b><br/>0 = screw-in valve</p> <p><b>E</b> <b>pressure range</b><br/>15 = 7.0 - 105 bar<br/>30 = 21.0 - 210 bar<br/>50 = 35.0 - 350 bar</p> |
|---|---|

## Technical Data:

<b>nominal pressure:</b>	350 bar
<b>nominal flow:</b>	227 l/min
<b>weight:</b>	0.25 kg
<b>temperature range:</b>	-40°C to 120°C
<b>fluids:</b>	hydraulic oil as per DIN 51524 T1 (ISO TC 131)
<b>max. leakage:</b>	85 ccm/min at 28.5 cSt (50°C) and 95% crack pressure
<b>seals:</b>	optional Buna (NBR) or Viton (FPM), as well as Teflon wascher (PTFE)
<b>crack pressure:</b>	adjustment will be determined at a flow of 0.25 l/min
<b>cavity:</b>	C-12-2 see datasheet no. <a href="#">IK-100-129-00</a>
<b>housing:</b>	2LH-12.-B.. see datasheet no. <a href="#">IH-100-000-00</a>
<b>seal kit:</b>	SP-CDS-12N-22 (NBR), SP-CDS-12V-22 (FPM)