

flow divider/combiner screw-in valve

FDCV-12.-0-..

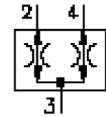


Motrac Hydraulik GmbH
 Siemensring 87 - D-47877 Willich
 fon +49-(0)2154-8162.0 - fax +49-(0)2154-8162.499
 e-mail info.miw@motracindustries.com
 internet www.motracindustries.com

CF-610-121-00

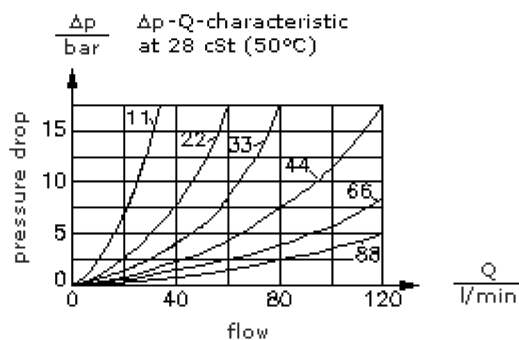
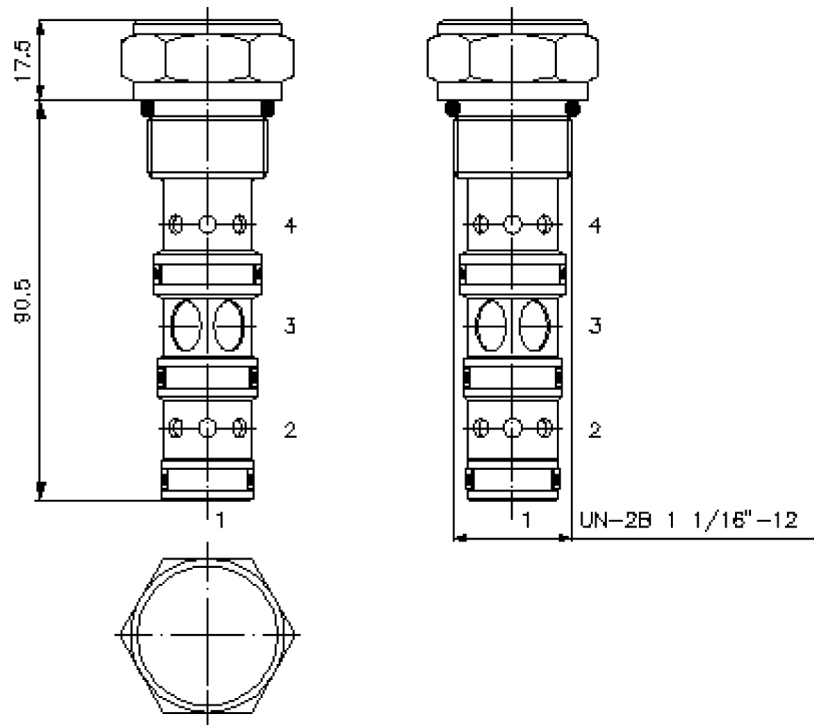
(subject to change)

BUCHER
 hydraulics



HEX 1 5/16"
 (torque
 cartridge:
 95 - 100 Nm)

cavity:
 C-12-4
 see
 data-sheet no.:
[IK-400-129-00](#)



flow divider/combiner screw-in valve

FDCV-12.-0-..



Motrac Hydraulik GmbH
Siemensring 87 - D-47877 Willich
fon +49-(0)2154-8162.0 - fax +49-(0)2154-8162.499
e-mail info.miw@motracindustries.com
internet www.motracindustries.com

BUCHER
hydraulics

CF-610-121-00

(subject to change)

Ordering example:

FDCV - 12N - 0 - 33
| | | |
A **B** **C** **D**

Model code:

- A design**
flow divider/combiner
pressure compensated
fixed dividing ratio
- B size and sealing**
12N = Buna (NBR)
12V = Viton (FPM)
- C construction**
0 = screw-in valve

- D flow and dividing ratio**
port
2 ; 4 ; 3 (Q max.)
11 = 50.0% ; 50.0% ; 15 l/min
22 = 50.0% ; 50.0% ; 30 l/min
33 = 50.0% ; 50.0% ; 45 l/min
44 = 50.0% ; 50.0% ; 60 l/min
66 = 50.0% ; 50.0% ; 90 l/min
88 = 50.0% ; 50.0% ; 120 l/min
13 = 25.0% ; 75.0% ; 30 l/min
26 = 25.0% ; 75.0% ; 60 l/min
12 = 33.3% ; 66.7% ; 22 l/min
24 = 33.3% ; 66.7% ; 45 l/min
36 = 33.3% ; 66.7% ; 68 l/min
48 = 33.3% ; 66.7% ; 90 l/min

Technical Data:

nominal pressure:	350 bar
nominal flow:	120 l/min
weight:	0.28 kg
temperature range:	-40°C to 120°C
fluids:	hydraulic oil as per DIN 51524 T1 (ISO TC 131)
dividing accuracy:	at Q < 40% Qges.: ± 7,5% at Q > 40% Qges.: ± 5,0%
seals:	optional Buna (NBR) or Viton (FPM), as well as Teflon wascher (PTFE)
cavity:	C-12-4 see datasheet no. IK-400-129-00 Review note!
housing:	4LHS-12.-B.. see datasheet no. IH-500-000-00
seal kit:	SP-CDS-12N-46 (NBR), SP-CDS-12V-46 (FPM)