

# flow divider/combiner screw-in valve

FDCV-10.-0-..

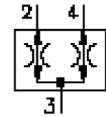


Motrac Hydraulik GmbH  
 Siemensring 87 - D-47877 Willich  
 fon +49-(0)2154-8162.0 - fax +49-(0)2154-8162.499  
 e-mail info.miw@motracindustries.com  
 internet www.motracindustries.com

CF-610-101-00

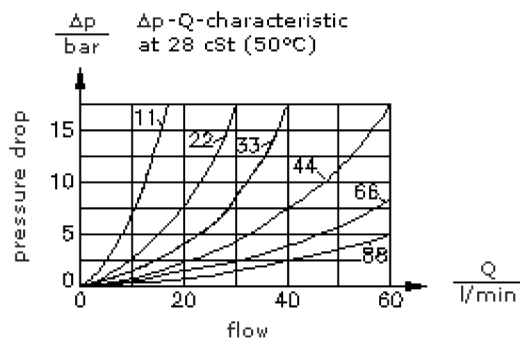
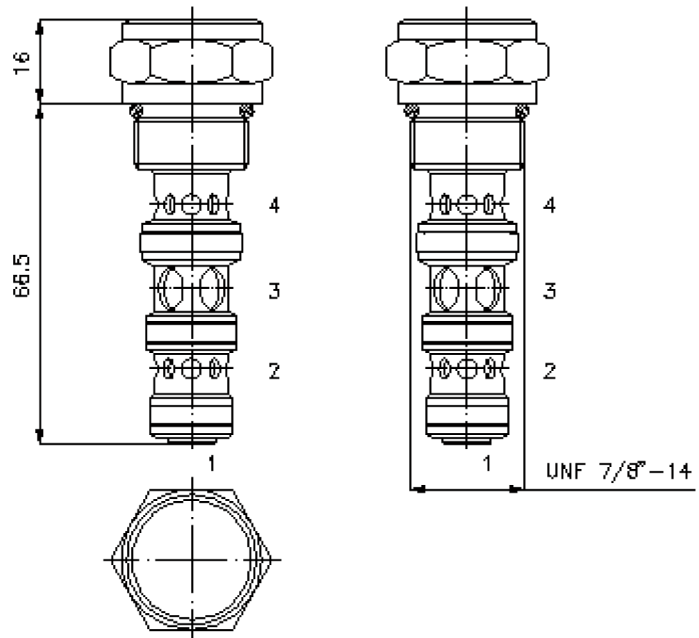
(subject to change)

**BUCHER**  
 hydraulics



HEX 27mm  
 (torque  
 cartridge:  
 48 - 54 Nm)

cavity: C-10-4  
 see  
 data-sheet no.:  
IK-400-109-00



# flow divider/combiner screw-in valve

FDCV-10.-0-..

**BUCHER**  
hydraulics



Motrac Hydraulik GmbH  
Siemensring 87 - D-47877 Willich  
fon +49-(0)2154-8162.0 - fax +49-(0)2154-8162.499  
e-mail info.miw@motracindustries.com  
internet www.motracindustries.com

**CF-610-101-00**

(subject to change)

## Ordering example:

FDCV - 10N - 0 - 33  
|        |        |        |  
**A**    **B**    **C**    **D**

## Model code:

- A design**  
flow divider/combiner  
pressure compensated  
fixed dividing ratio
- B size and sealing**  
10N = Buna (NBR)  
10V = Viton (FPM)
- C construction**  
0 = screw-in valve

- D flow and dividing ratio**  
port  
2 ; 4 ; 3 (Q max.)  
11 = 50.0% ; 50.0% ; 7 l/min  
22 = 50.0% ; 50.0% ; 15 l/min  
33 = 50.0% ; 50.0% ; 22 l/min  
44 = 50.0% ; 50.0% ; 30 l/min  
66 = 50.0% ; 50.0% ; 45 l/min  
88 = 50.0% ; 50.0% ; 60 l/min  
13 = 25.0% ; 75.0% ; 15 l/min  
26 = 25.0% ; 75.0% ; 30 l/min  
12 = 33.3% ; 66.7% ; 11 l/min  
24 = 33.3% ; 66.7% ; 22 l/min  
36 = 33.3% ; 66.7% ; 34 l/min  
48 = 33.3% ; 66.7% ; 45 l/min

## Technical Data:

- nominal pressure:** 350 bar
- nominal flow:** 60 l/min
- weight:** 0.14 kg
- temperature range:** -40°C to 120°C
- fluids:** hydraulic oil as per DIN 51524 T1 (ISO TC 131)
- dividing accuracy:**  
4 - 16 l/min: ± 10.0%  
16 - 30 l/min: ± 7.5%  
30 - 60 l/min: ± 5.0%
- seals:** optional Buna (NBR) or Viton (FPM), as well as Teflon wascher (PTFE)
- cavity:** C-10-4 see datasheet no. [IK-400-109-00](#) Review note!
- housing:** 4LHS-10.-B.. see datasheet no. [IH-500-000-00](#)
- seal kit:** SP-CDS-10N-13 (NBR), SP-CDS-10V-13 (FPM)