

# flow divider/combiner screw-in valve

FDCV-08.-0-..

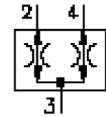
**BUCHER**  
hydraulics



Motrac Hydraulik GmbH  
Siemensring 87 - D-47877 Willich  
fon +49-(0)2154-8162.0 - fax +49-(0)2154-8162.499  
e-mail info.miw@motracindustries.com  
internet www.motracindustries.com

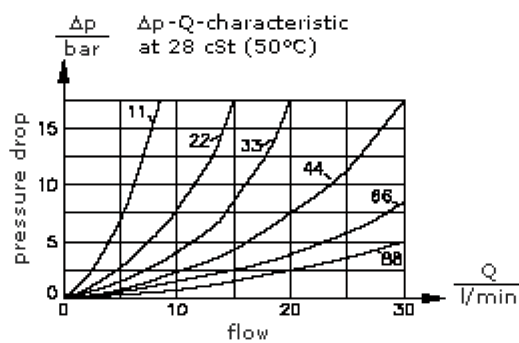
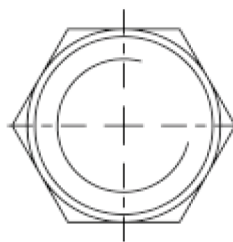
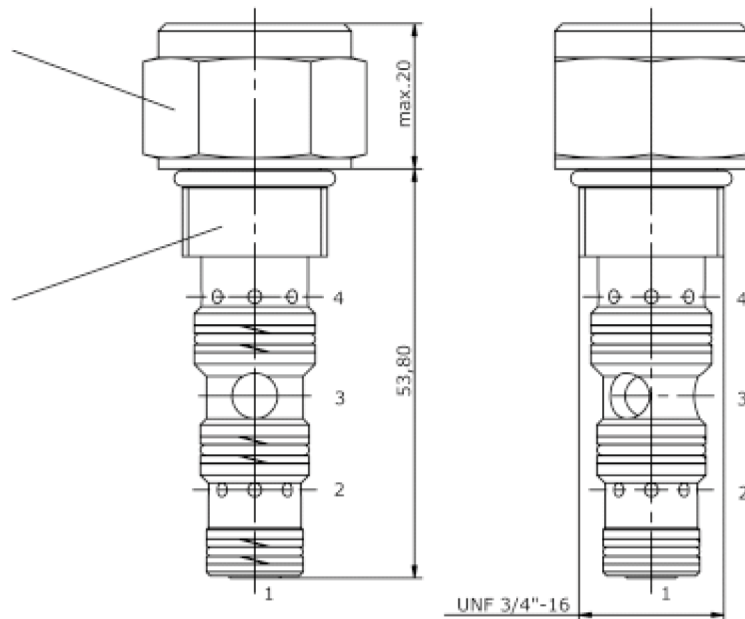
**CF-610-081-00**

(subject to change)



HEX 1"  
(torque  
cartridge:  
48 - 54 Nm)

cavity:  
C-08-4  
see  
data-sheet no.:  
[IK-400-089-00](#)



# flow divider/combiner screw-in valve

FDCV-08.-0-..

**BUCHER**  
hydraulics



Motrac Hydraulik GmbH  
Siemensring 87 - D-47877 Willich  
fon +49-(0)2154-8162.0 - fax +49-(0)2154-8162.499  
e-mail info.miw@motracindustries.com  
internet www.motracindustries.com

**CF-610-081-00**

(subject to change)

## Ordering example:

FDCV - 08N - 0 - 33  
|       |       |       |  
**A**    **B**    **C**    **D**

## Model code:

- A** design  
flow divider/combiner
- B** size and sealing  
08N = Buna (NBR)  
08V = Viton (FPM)
- C** construction  
0 = screw-in valve

- D** flow and dividing ratio  
port  
2 ; 4 ; 3 (Q max.)  
11 = 50.0% ; 50.0% ; 4 l/min  
22 = 50.0% ; 50.0% ; 8 l/min  
33 = 50.0% ; 50.0% ; 12 l/min  
44 = 50.0% ; 50.0% ; 16 l/min  
66 = 50.0% ; 50.0% ; 24 l/min  
44 = 50.0% ; 50.0% ; 16 l/min  
12 = 33.3% ; 66.7% ; 6 l/min  
13 = 25.0% ; 75.0% ; 8 l/min  
24 = 33.3% ; 66.7% ; 12 l/min  
26 = 25.0% ; 75.0% ; 16 l/min  
36 = 33.3% ; 66.7% ; 18 l/min  
48 = 33.3% ; 66.7% ; 24 l/min  
12 = 33.3% ; 66.7% ; 6 l/min  
31 = 75.0% ; 25.0% ; 8 l/min  
42 = 66.7% ; 33.3% ; 12 l/min  
62 = 75.0% ; 25.0% ; 16 l/min  
63 = 66.7% ; 33.3% ; 18 l/min  
84 = 66.7% ; 33.3% ; 24 l/min

## Technical Data:

- nominal pressure:** 350 bar
- nominal flow:** 30 l/min
- weight:** 0.11 kg
- temperature range:** -40°C to 120°C
- fluids:** hydraulic oil as per DIN 51524 T1 (ISO TC 131)
- dividing accuracy:** at Q < 40% Qges.: ± 5.0%  
at Q > 40% Qges.: ± 2.5%
- seals:** optional Buna (NBR) or Viton (FPM), as well as Teflon wascher (PTFE)
- cavity:** C-08-4 see datasheet no. [IK-400-089-00](#)
- housing:** 4LHS-08.-B.. see datasheet no. [IH-500-000-00](#)
- seal kit:** SP-CDS-08N-46 (NBR), SP-CDS-08V-46 (FPM)