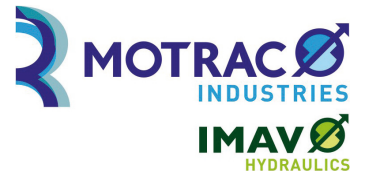


3-way pressure compensator screw-in valve (fixed)

PCEB-10.-F-0-...

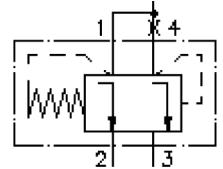
BUCHER
hydraulics



Motrac Hydraulik GmbH
Siemensring 87 - D-47877 Willich
fon +49-(0)2154-8162.0 - fax +49-(0)2154-8162.499
e-mail info.miw@motracindustries.com
internet www.motracindustries.com

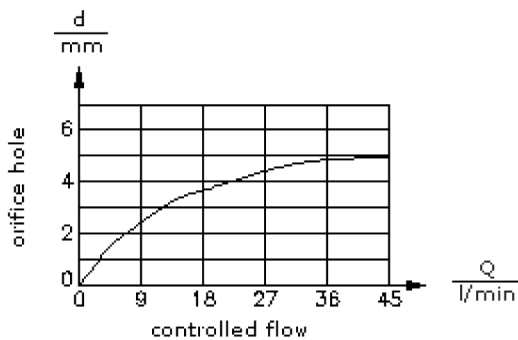
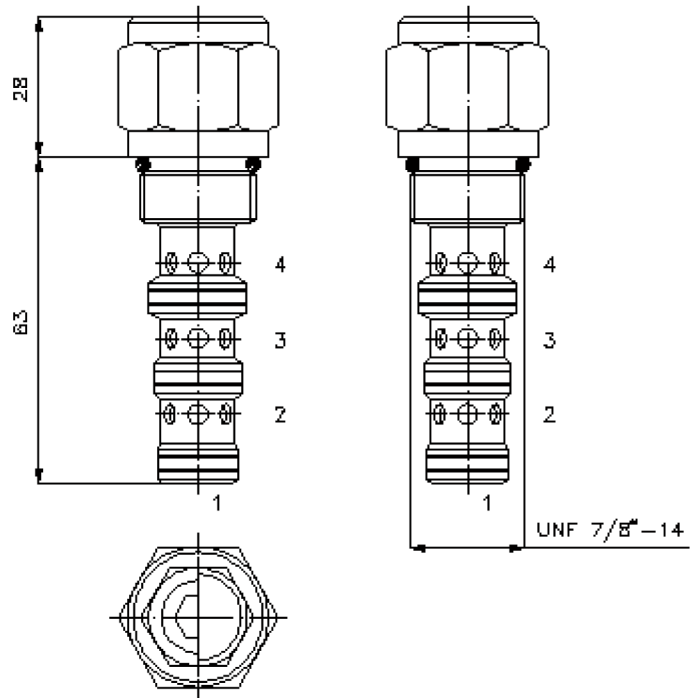
CF-550-102-00

(subject to change)



HEX 27mm
(torque
cartridge:
48 - 54 Nm)

cavity: C-10-4
see
data-sheet no.:
IK-400-109-00



3-way pressure compensator screw-in valve (fixed)

PCEB-10.-F-0-...

BUCHER
hydraulics



Motrac Hydraulik GmbH
Siemensring 87 - D-47877 Willich
fon +49-(0)2154-8162.0 - fax +49-(0)2154-8162.499
e-mail info.miw@motracindustries.com
internet www.motracindustries.com

CF-550-102-00

(subject to change)

Ordering example:

PCEB - 10N - F - 0 - 100
| | | | |
A **B** **C** **D** **E**

Model code:

- | | |
|---|---|
| A design
pressure compensator
pressure compensated | C adjustment
F = fixed |
| B size and sealing
10N = Buna (NBR)
10V = Viton (FPM) | D construction
0 = screw-in valve |
| | E differential pressure
075 = 5.2 bar
100 = 6.9 bar |

Technical Data:

nominal pressure:	350 bar
nominal flow:	68 l/min
weight:	0.21 kg
temperature range:	-40°C to 120°C
fluids:	hydraulic oil as per DIN 51524 T1 (ISO TC 131)
max. leakage:	85 ccm/min at 22 cSt (50°C)
crack pressure:	adjustment will be determined at a flow of 0.25 l/min
seals:	optional Buna (NBR) or Viton (FPM), as well as Teflon wascher (PTFE)
cavity:	C-10-4 see datasheet no. IK-400-109-00 Review note!
housing:	4LH-10.-B.. see datasheet no. IH-400-000-00
seal kit:	SP-CDS-10N-13 (NBR), SP-CDS-10V-13 (FPM)