

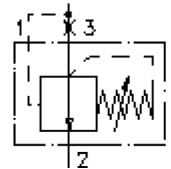
2-way pressure compensator screw-in valve (adjustable)

PCEI-10.-.-0-...

CF-500-101-00

(subject to change)

BUCHER
hydraulics

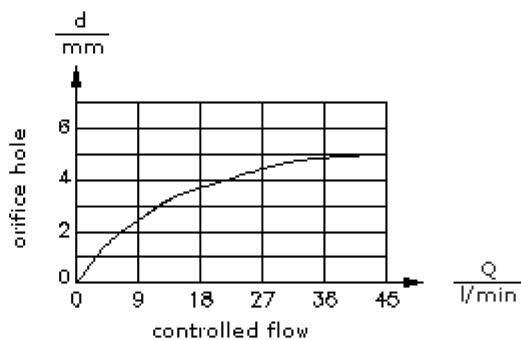
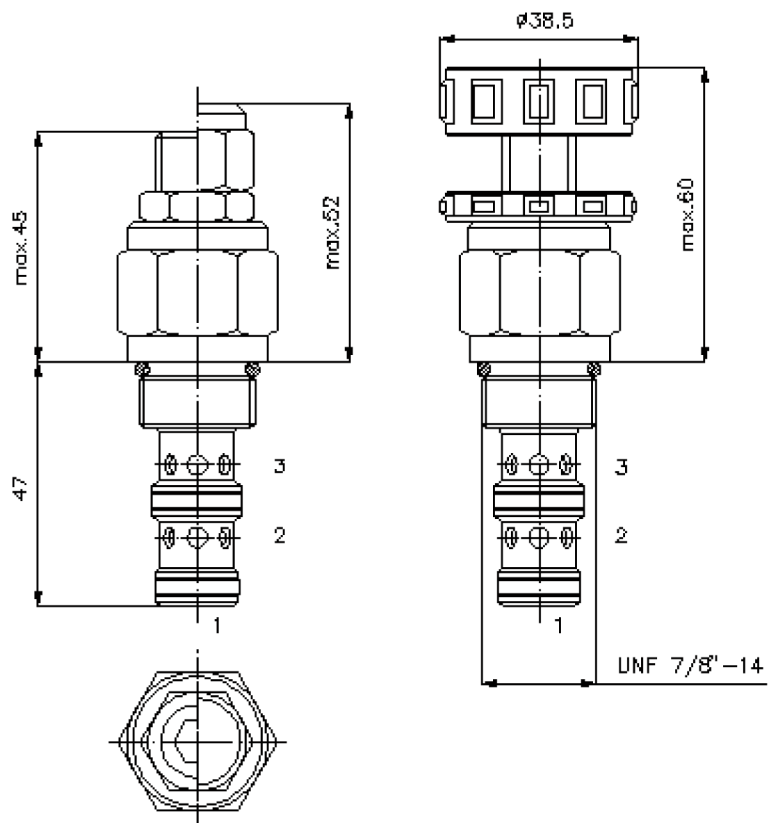


HEX 19 mm

HEX 27 mm
(torque
cartridge:
48 - 54 Nm)

cavity:
C-10-3
see
data-sheet no.:
[IK-300-109-00](#)

HEW 8 mm



2-way pressure compensator screw-in valve (adjustable)

PCEI-10.-.-0-...



Motrac Hydraulik GmbH
Siemensring 87 - D-47877 Willich
fon +49-(0)2154-8162.0 - fax +49-(0)2154-8162.499
e-mail info.miw@motracindustries.com
internet www.motracindustries.com

BUCHER
hydraulics

CF-500-101-00

(subject to change)

Ordering example:

PCEI - 10N - C - 0 - 100
| | | | |
A **B** **C** **D** **E**

Model code:

- | | |
|---|--|
| <p>A design
pressure compensator
pressure compensated</p> <p>B size and sealing
10N = Buna (NBR)
10V = Viton (FPM)</p> <p>C adjustment
S = screw adjustment
C = cap
K = handknob</p> | <p>D construction
0 = screw-in valve</p> <p>E differential pressure
080 = 2.8 - 5.5 bar
120 = 2.8 - 8.0 bar
160 = 2.8 - 11.0 bar</p> |
|---|--|

Technical Data:

nominal pressure:	350 bar
nominal flow:	45 l/min
weight:	0.19 kg
temperature range:	-40°C to 120°C
fluids:	hydraulic oil as per DIN 51524 T1 (ISO TC 131)
max. leakage:	85 ccm/min at 22 cSt (50°C)
crack pressure:	adjustment will be determined at a flow of 0.25 l/min
seals:	optional Buna (NBR) or Viton (FPM), as well as Teflon wascher (PTFE)
cavity:	C-10-3 see datasheet no. IK-300-109-00
housing:	3LH-10.-B.. see datasheet no. IH-300-000-00
seal kit:	SP-CDS-10N-12 (NBR), SP-CDS-10V-12 (FPM)