

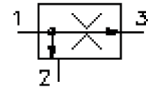
# 3-way flow control screw-in valve (fixed)

BFCV-12.-F-0-.....

**CF-400-122-00**

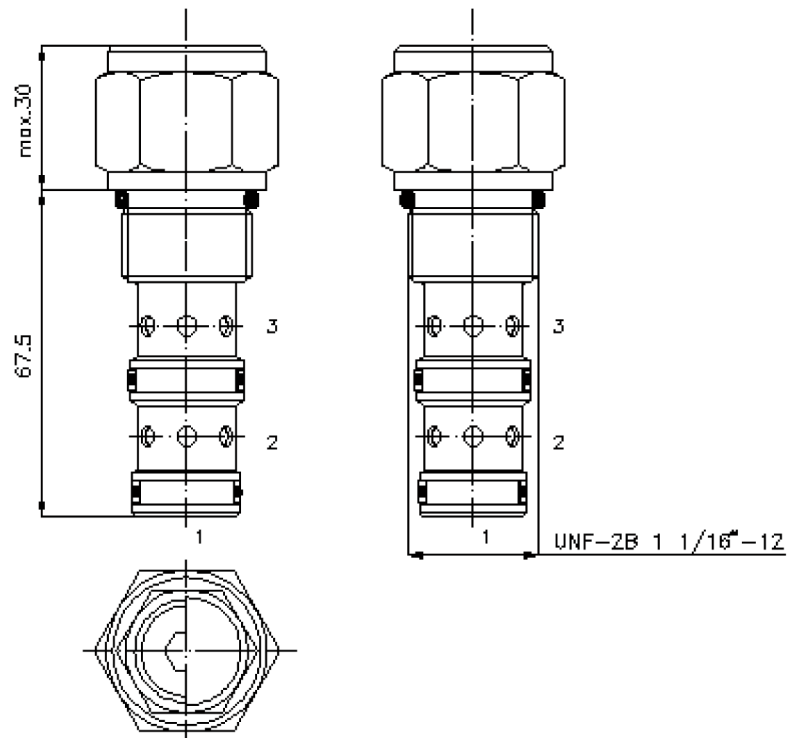
(subject to change)

**BUCHER**  
hydraulics

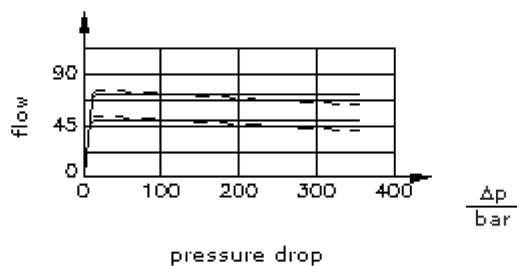


HEX 1 5/16"  
(torque  
cartridge:  
95 - 100 Nm)

cavity:  
C-20-3  
see  
data-sheet no.:  
[IK-300-209-00](#)



$\frac{Q}{l/min}$   $\Delta p$ -Q-characteristic  
at 28 cSt (50°C)



# 3-way flow control screw-in valve (fixed)

BFCV-12.-F-0-.....



Motrac Hydraulik GmbH  
Siemensring 87 - D-47877 Willich  
fon +49-(0)2154-8162.0 - fax +49-(0)2154-8162.499  
e-mail info.miw@motracindustries.com  
internet www.motracindustries.com

CF-400-122-00

(subject to change)

**BUCHER**  
hydraulics

## Ordering example:

BFCV - 12N - F - 0 - 02.20

A	B	C	D	E

## Model code:

- |   |   |
|---|---|
| <p><b>A</b> <b>design</b><br/>flow regulator valve<br/>pressure compensated</p> <p><b>B</b> <b>size and sealing</b><br/>12N = Buna (NBR)<br/>12V = Viton (FPM)</p> <p><b>C</b> <b>adjustment</b><br/>F = fixed</p> <p><b>D</b> <b>construction</b><br/>0 = screw-in valve</p> | <p><b>E</b> <b>quantity adjustment</b><br/>requested max. flow<br/>Q specify in gpm<br/>1 l/min = 0.265 Gpm<br/>(1 Gpm = 3.785 l/min)<br/>regulation tolerance<br/>1.8 - 15.0 l/min ± 10.0%<br/>15.0 - 46.0 l/min ± 7.5%<br/>46.0 - 75.0 l/min ± 5.0%</p> |
|---|---|

## Technical Data:

<b>note:</b>	load at Port "2" max. p max.
<b>nominal pressure:</b>	350 bar
<b>nominal flow:</b>	60 l/min
<b>weight:</b>	0.34 kg
<b>temperature range:</b>	-40°C to 120°C
<b>fluids:</b>	hydraulic oil as per DIN 51524 T1 (ISO TC 131)
<b>seals:</b>	optional Buna (NBR) or Viton (FPM), as well as Teflon wascher (PTFE)
<b>cavity:</b>	C-12-3 see datasheet no. <a href="#">IK-300-129-00</a>
<b>housing:</b>	3LH-12.-B.. see datasheet no. <a href="#">IH-300-000-00</a>
<b>seal kit:</b>	SP-CDS-12N-34 (NBR), SP-CDS-12V-34 (FPM)