

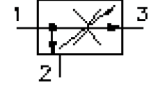
3-way flow control screw-in valve (adjustable)

BFCV-12.-.-0-.....

CF-400-121-00

(subject to change)

BUCHER
hydraulics

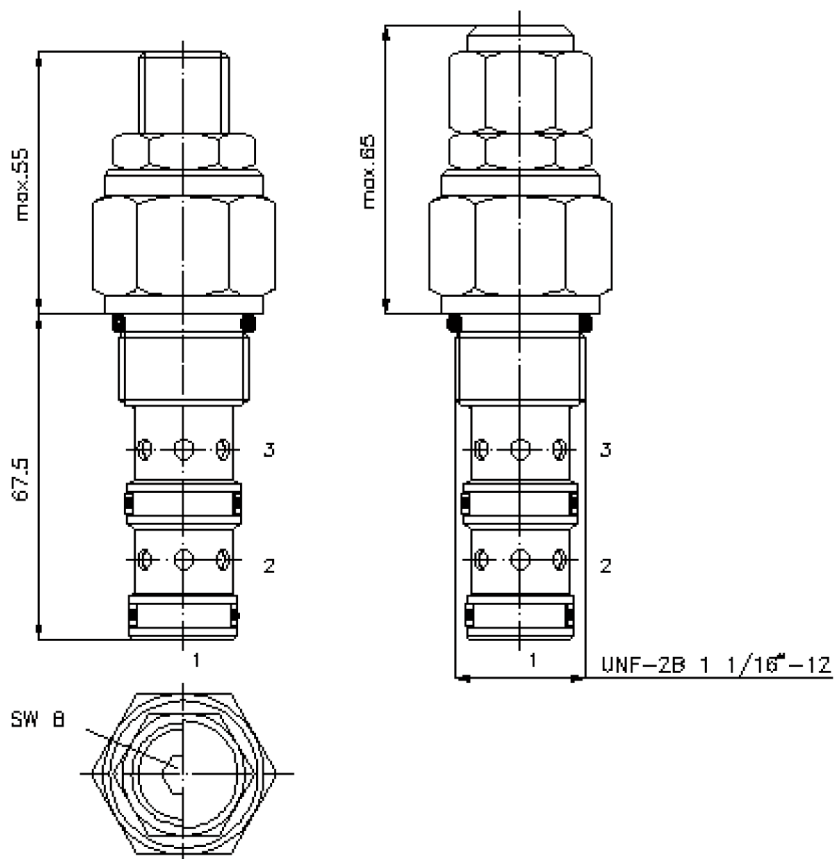


HEX 1"

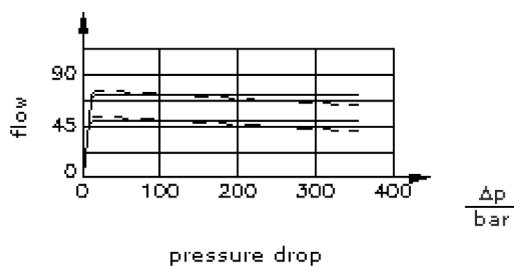
HEX 1 5/16"
(torque
cartridge:
95 - 100 Nm)

cavity:
C-12-3
see
data-sheet no.:
IK-300-129-00

HEW 8 mm



$\frac{Q}{l/min}$ Δp -Q-characteristic
at 28 cst (50°C)



3-way flow control screw-in valve (adjustable)

BFCV-12.-.-0-.....

BUCHER
hydraulics



Motrac Hydraulik GmbH
Siemensring 87 - D-47877 Willich
fon +49-(0)2154-8162.0 - fax +49-(0)2154-8162.499
e-mail info.miw@motracindustries.com
internet www.motracindustries.com

CF-400-121-00

(subject to change)

Ordering example:

BFCV - 12N - C - 0 - 02.20

A	B	C	D	E

Model code:

- | | |
|--|---|
| <p>A design
flow regulator valve
pressure compensated</p> <p>B size and sealing
12N = Buna (NBR)
12V = Viton (FPM)</p> <p>C adjustment
S = screw adjustment
C = cap</p> <p>D construction
0 = screw-in valve</p> | <p>E quantity adjustment
requested max. flow
Q specify in gpm
1 l/min = 0.265 Gpm
(1 Gpm = 3.785 l/min)
regulation tolerance
1.8 - 15.0 l/min ± 10.0%
15.0 - 46.0 l/min ± 7.5%
46.0 - 75.0 l/min ± 5.0%</p> |
|--|---|

Technical Data:

- | | |
|-----------------------------|--|
| note: | load at Port "2" max. p max. |
| nominal pressure: | 350 bar |
| nominal flow: | 75 l/min |
| weight: | 0.34 kg |
| adjustable function: | max. 50% volumen-reduction of the factory set flow |
| temperature range: | -40°C to 120°C |
| fluids: | hydraulic oil as per DIN 51524 T1 (ISO TC 131) |
| seals: | optional Buna (NBR) or Viton (FPM), as well as Teflon wascher (PTFE) |
| cavity: | C-12-3 see datasheet no. IK-300-129-00 |
| housing: | 3LH-12.-B.. see datasheet no. IH-300-000-00 |
| seal kit: | SP-CDS-12N-34 (NBR), SP-CDS-12V-34 (FPM) |