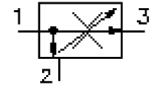


# 3-way flow control screw-in valve (adjustable)

BFCV-10.-.-0-.....

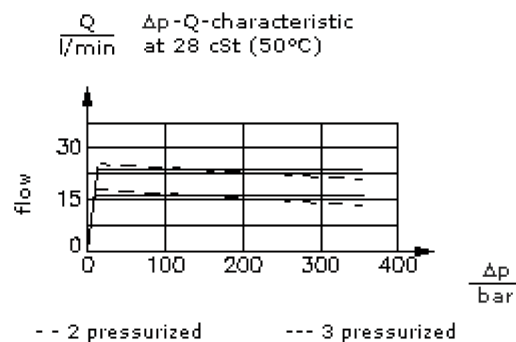
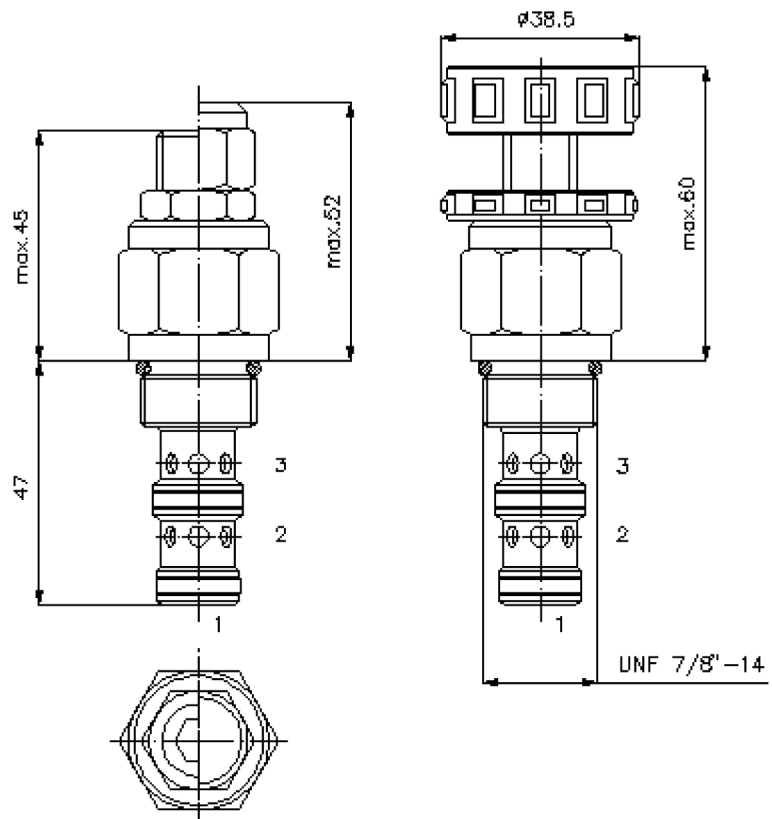


HEX 19 mm

HEX 27 mm  
(torque  
cartridge:  
48 - 54 Nm)

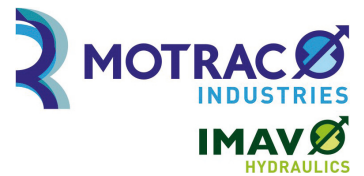
cavity:  
C-10-3  
see  
data-sheet no.:  
IK-300-109-00

Attention:  
Please see note at  
data-sheet no.:  
IK-200-109-00 !



# 3-way flow control screw-in valve (adjustable)

BFCV-10.-.-0-.....



Motrac Hydraulik GmbH  
Siemensring 87 - D-47877 Willich  
fon +49-(0)2154-8162.0 - fax +49-(0)2154-8162.499  
e-mail info.miw@motracindustries.com  
internet www.motracindustries.com

**BUCHER**  
hydraulics

**CF-400-101-00**

(subject to change)

## Ordering example:

BFCV - 10N - S - 0 - 06.00  
|        |        |        |        |  
**A**      **B**      **C**      **D**      **E**

## Model code:

- A design**  
flow regulator valve  
pressure compensated
- B size and sealing**  
10N = Buna (NBR)  
10V = Viton (FPM)
- C adjustment**  
S = screw adjustment  
C = cap  
K = handknob
- D construction**  
0 = screw-in valve

- E quantity adjustment**  
requested max. flow  
Q specify in gpm  
1 l/min = 0.265 Gpm  
(1 Gpm = 3.785 l/min)  
regulation tolerance  
0.9 - 6.0 l/min ± 10.0%  
6.0 - 15.0 l/min ± 7.5%  
15.0 - 45.0 l/min ± 5.0%

## Technical Data:

<b>note:</b>	load at Port "2" max. p max.
<b>nominal pressure:</b>	350 bar
<b>nominal flow:</b>	45 l/min
<b>weight:</b>	0.19 kg
<b>adjustable function:</b>	max. 50% volumen-reduction of the factory set flow
<b>temperature range:</b>	-40°C to 120°C
<b>fluids:</b>	hydraulic oil as per DIN 51524 T1 (ISO TC 131)
<b>seals:</b>	optional Buna (NBR) or Viton (FPM), as well as Teflon wascher (PTFE)
<b>cavity:</b>	C-10-3 see datasheet no. <a href="#">IK-300-109-00</a>
<b>housing:</b>	3LH-10.-B.. see datasheet no. <a href="#">IH-300-000-00</a>
<b>seal kit:</b>	SP-CDS-10N-12 (NBR), SP-CDS-10V-12 (FPM)