

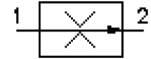
2-way flow control screw-in valve (fixed)

PCFC-12.-F-0-.....

CF-300-122-00

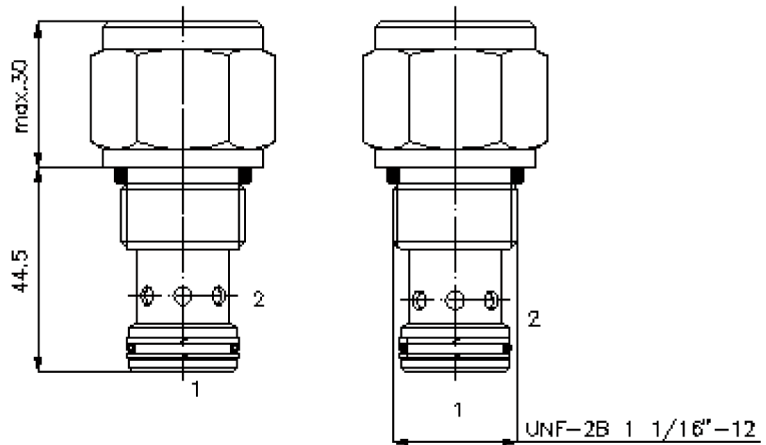
(subject to change)

BUCHER
hydraulics

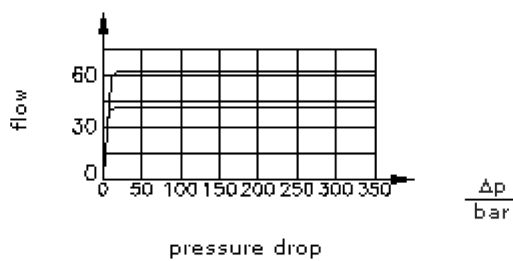


HEX 1 5/16"
(torque
cartridge:
95 - 100 Nm)

cavity:
C-12-2
see
data-sheet no.:
IK-100-129-00



$\frac{Q}{l/min}$ Δp -Q-characteristic
at 28 cSt (50°C)



2-way flow control screw-in valve (fixed)

PCFC-12.-F-0-.....



Motrac Hydraulik GmbH
Siemensring 87 - D-47877 Willich
fon +49-(0)2154-8162.0 - fax +49-(0)2154-8162.499
e-mail info.miw@motracindustries.com
internet www.motracindustries.com

CF-300-122-00

(subject to change)

BUCHER
hydraulics

Ordering example:

PCFC - 12N - F - 0 - 04.50
| | | | |
A **B** **C** **D** **E**

Model code:

- | | |
|---|--|
| A design
flow regulator valve
pressure independent | E quantity adjustment
requested max. flow
Q specify in gpm
1 l/min = 0.265 Gpm
(1 Gpm = 3.785 l/min)
regulation tolerance
0.9 - 12.0 l/min ± 10.0%
12.0 - 30.0 l/min ± 7.5%
30.0 - 90.0 l/min ± 5.0% |
| B size and sealing
12N = Buna (NBR)
12V = Viton (FPM) | |
| C adjustment
F = fixed | |
| D construction
0 = screw-in valve | |

Technical Data:

nominal pressure:	350 bar
nominal flow:	90 l/min
weight:	0.34 kg
temperature range:	-40°C to 120°C
fluids:	hydraulic oil as per DIN 51524 T1 (ISO TC 131)
seals:	optional Buna (NBR) or Viton (FPM), as well as Teflon wascher (PTFE)
cavity:	C-12-2 see datasheet no. IK-100-129-00
housing:	2LH-12.-B.. see datasheet no. IH-100-000-00
seal kit:	SP-CDS-12N-22 (NBR), SP-CDS-12V-22 (FPM)