

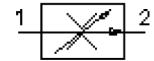
# 2-way flow control screw-in valve (adjustable)

PCFC-12.-.-0-.....

CF-300-121-00

(subject to change)

**BUCHER**  
hydraulics

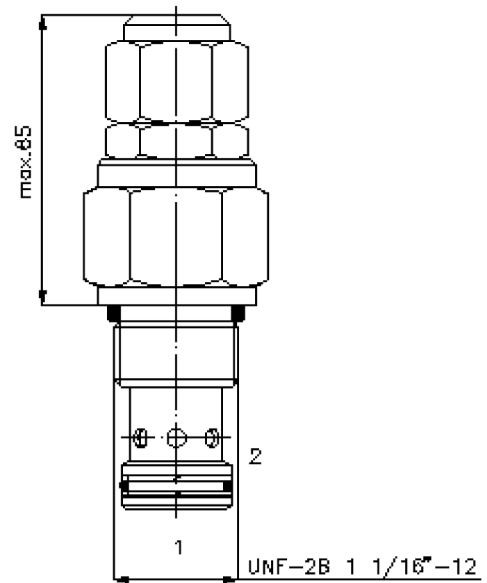
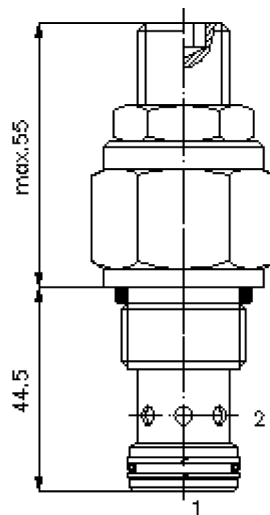


HEX 1"

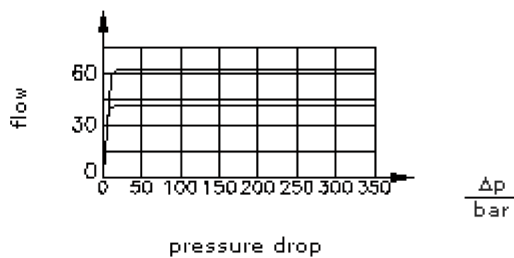
HEX 1 5/16"  
(torque  
cartridge:  
95 - 100 Nm)

cavity:  
C-12-2  
see  
data-sheet no.:  
IK-100-129-00

HEW 8 mm



$\frac{Q}{l/min}$   $\Delta p$ -Q-characteristic  
at 28 cSt (50°C)



# 2-way flow control screw-in valve (adjustable)

PCFC-12.-.-0-.....

**BUCHER**  
hydraulics



Motrac Hydraulik GmbH  
Siemensring 87 - D-47877 Willich  
fon +49-(0)2154-8162.0 - fax +49-(0)2154-8162.499  
e-mail info.miw@motracindustries.com  
internet www.motracindustries.com

**CF-300-121-00**

(subject to change)

## Ordering example:

PCFC - 12N - C - 0 - 04.50  
|            |            |            |            |  
**A**        **B**        **C**        **D**        **E**

## Model code:

- |  |   |
|--|---|
| <p><b>A</b> <b>design</b><br/>flow regulator valve<br/>pressure independent</p> <p><b>B</b> <b>size and sealing</b><br/>12N = Buna (NBR)<br/>12V = Viton (FPM)</p> <p><b>C</b> <b>adjustment</b><br/>S = screw adjustment<br/>C = cap</p> <p><b>D</b> <b>construction</b><br/>0 = screw-in valve</p> | <p><b>E</b> <b>quantity adjustment</b><br/>requested max. flow<br/>Q specify in gpm<br/>1 l/min = 0.265 Gpm<br/>(1 Gpm = 3.785 l/min)<br/>regulation tolerance<br/>0.9 - 12.0 l/min ± 10.0%<br/>12.0 - 30.0 l/min ± 7.5%<br/>30.0 - 90.0 l/min ± 5.0%</p> |
|--|---|

## Technical Data:

<b>nominal pressure:</b>	350 bar
<b>nominal flow:</b>	90 l/min
<b>weight:</b>	0.34 kg
<b>adjustable function:</b>	max. 50% volumen-reduction of the factory set flow
<b>temperature range:</b>	-40°C to 120°C
<b>fluids:</b>	hydraulic oil as per DIN 51524 T1 (ISO TC 131)
<b>seals:</b>	optional Buna (NBR) or Viton (FPM), as well as Teflon wascher (PTFE)
<b>cavity:</b>	C-12-2 see datasheet no. <a href="#">IK-100-129-00</a>
<b>housing:</b>	2LH-12.-B.. see datasheet no. <a href="#">IH-100-000-00</a>
<b>seal kit:</b>	SP-CDS-12N-22 (NBR), SP-CDS-12V-22 (FPM)