

2-way flow control screw-in valve (adjustable)

PCFC-10.-.-0-.....

CF-300-101-00

(subject to change)

BUCHER
hydraulics

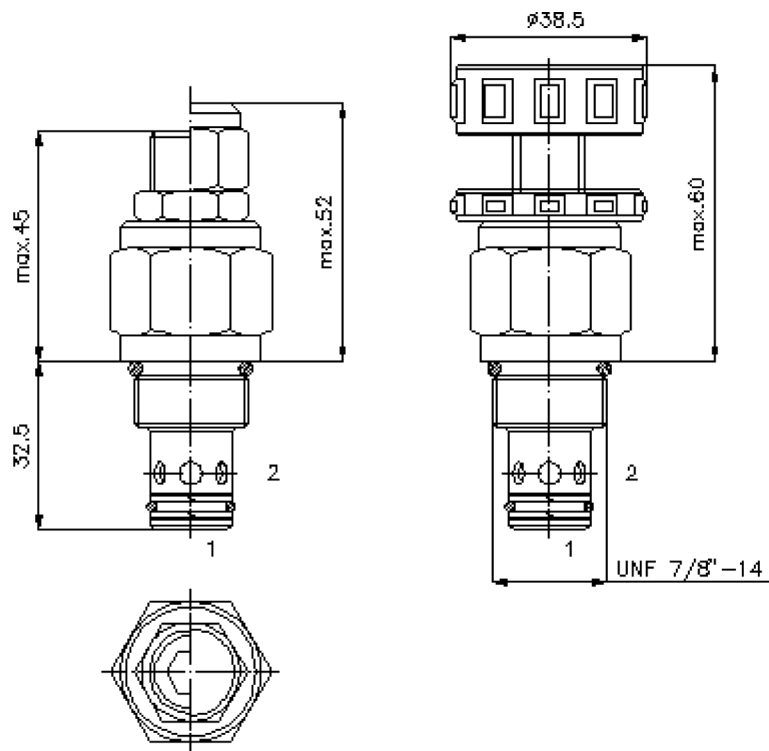


HEX 19 mm

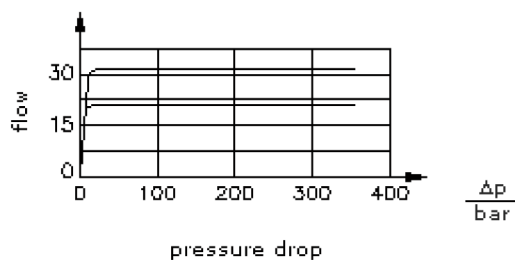
HEX 27 mm
(torque
cartridge:
48 - 54 Nm)

cavity:
C-10-2
see
data-sheet no.:
IK-100-109-00

HEW 8 mm



$\frac{Q}{l/min}$ Δp -Q-characteristic
at 28 cSt (50°C)



2-way flow control screw-in valve (adjustable)

PCFC-10.-.-0-.....



Motrac Hydraulik GmbH
Siemensring 87 - D-47877 Willich
fon +49-(0)2154-8162.0 - fax +49-(0)2154-8162.499
e-mail info.miw@motracindustries.com
internet www.motracindustries.com

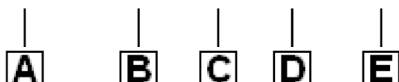
CF-300-101-00

(subject to change)

BUCHER
hydraulics

Ordering example:

PCFC - 10N - C - 0 - 04.50



Model code:

- A design**
flow regulator valve
pressure independent
- B size and sealing**
10N = Buna (NBR)
10V = Viton (FPM)
- C adjustment**
S = screw adjustment
C = cap
K = handknob
- D construction**
0 = screw-in valve

- E quantity adjustment**
requested max. flow
Q specify in gpm
1 l/min = 0.265 Gpm
(1 Gpm = 3.785 l/min)
regulation tolerance
0.9 - 6.0 l/min ± 10.0%
6.0 - 15.0 l/min ± 7.5%
15.0 - 45.0 l/min ± 5.0%

Technical Data:

nominal pressure:	350 bar
nominal flow:	45 l/min
weight:	0.14 kg
adjustable function:	max. 50% volumen-reduction of the factory set flow
temperature range:	-40°C to 120°C
fluids:	hydraulic oil as per DIN 51524 T1 (ISO TC 131)
seals:	optional Buna (NBR) or Viton (FPM), as well as Teflon wascher (PTFE)
cavity:	C-10-2 see datasheet no. IK-100-109-00
housing:	2LH-10.-B.. see datasheet no. IH-100-000-00
seal kit:	SP-CDS-10N-22 (NBR), SP-CDS-10V-22 (FPM)