

throttle screw-in valve (adjustable)

NFCV-10.-K-0

CF-210-101-00

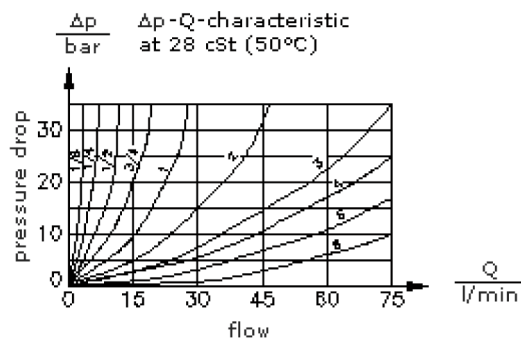
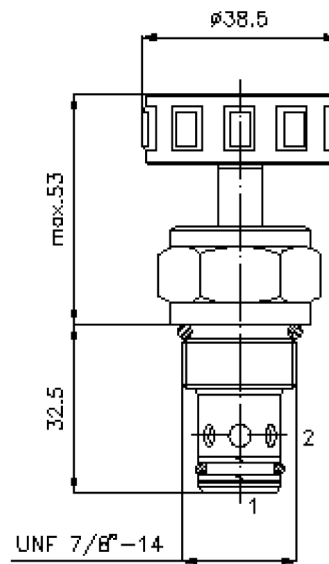
(subject to change)

BUCHER
hydraulics



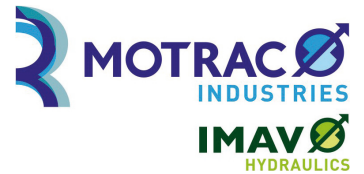
HEX 27mm
(torque
cartridge:
48 - 54 Nm)

cavity:
C-10-2
see
data-sheet no.:
IK-100-109-00



throttle screw-in valve (adjustable)

NFCV-10.-K-0



Motrac Hydraulik GmbH
Siemensring 87 - D-47877 Willich
fon +49-(0)2154-8162.0 - fax +49-(0)2154-8162.499
e-mail info.miw@motracindustries.com
internet www.motracindustries.com

CF-210-101-00

(subject to change)

BUCHER
hydraulics

Ordering example:

NFCV - 10N - K - 0
| | | |
A **B** **C** **D**

Model code:

A **design**
needle throttle valve

B **size and sealing**
10N = Buna (NBR)
10V = Viton (FPM)

C **actuation type**
K = handknob

D **construction**
0 = screw-in valve

Technical Data:

nominal pressure: 350 bar

nominal flow: 68 l/min

weight: 0.14 kg

temperature range: -40°C to 120°C

fluids: hydraulic oil as per DIN 51524 T1 (ISO TC 131)

max. leakage: 0 drops/min at 22 cSt (50°C) and 350 bar

seals: optional Buna (NBR) or Viton (FPM), as well as Teflon wascher (PTFE)

cavity: C-10-2 see datasheet no. [IK-100-109-00](#)

housing: 2LH-10.-B.. see datasheet no. [IH-100-000-00](#)

seal kit: SP-CDS-10N-22 (NBR), SP-CDS-10V-22 (FPM)