

# throttle screw-in valve (adjustable)

NFCV-08.-K-0

CF-210-081-00

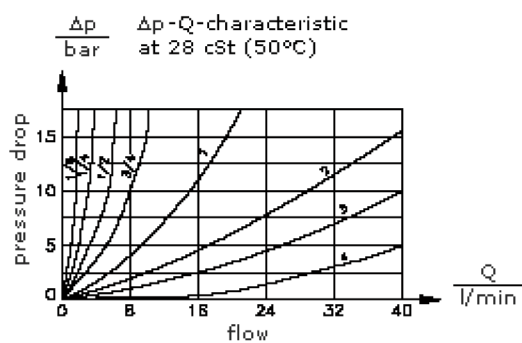
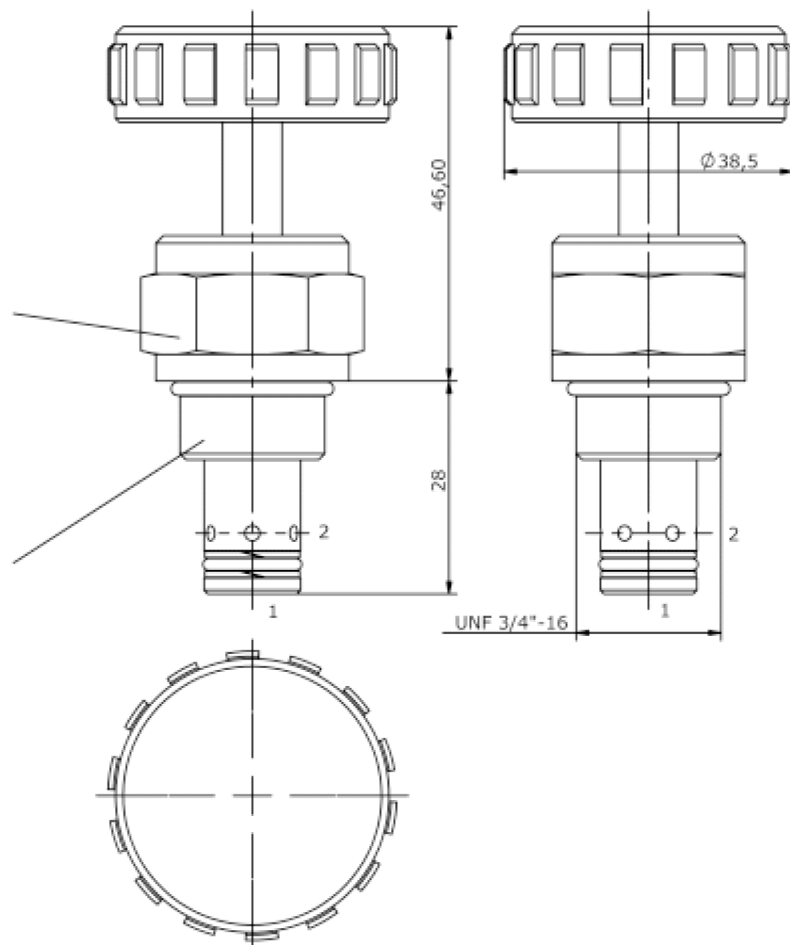
(subject to change)

**BUCHER**  
hydraulics



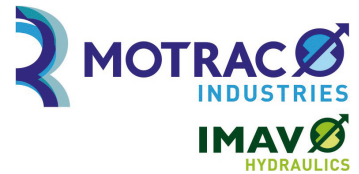
HEX 1"  
(torque  
cartridge:  
48 - 54 Nm)

cavity:  
C-08-2  
see  
data-sheet no.:  
[IK-100-089-00](#)



# throttle screw-in valve (adjustable)

NFCV-08.-K-0



Motrac Hydraulik GmbH  
Siemensring 87 - D-47877 Willich  
fon +49-(0)2154-8162.0 - fax +49-(0)2154-8162.499  
e-mail info.miw@motracindustries.com  
internet www.motracindustries.com

CF-210-081-00

(subject to change)

**BUCHER**  
hydraulics

## Ordering example:

NFCV - 08N - K - 0  
|        |        |        |  
**A**    **B**    **C**    **D**

## Model code:

**A** **design**  
needle throttle valve

**B** **size and sealing**  
08N = Buna (NBR)  
08V = Viton (FPM)

**C** **actuation type**  
K = handknob

**D** **construction**  
0 = screw-in valve

## Technical Data:

**nominal pressure:** 350 bar

**nominal flow:** 38 l/min

**weight:** 0.1 kg

**temperature range:** -40°C to 120°C

**fluids:** hydraulic oil as per DIN 51524 T1 (ISO TC 131)

**max. leakage:** 0 drops/min at 22 cSt (50°C) and 350 bar

**seals:** optional Buna (NBR) or Viton (FPM), as well as Teflon wascher (PTFE)

**cavity:** C-08-2 see datasheet no. [IK-100-089-00](#)

**housing:** 2LH-08.-B.. see datasheet no.: [IH-100-000-00](#)

**seal kit:** SP-CDS-08N-22 (NBR), SP-CDS-08V-22 (FPM)