

throttle check valve, screw-in type (adjustable)

FCVL-10.-.-0-F

CF-100-101-00

(subject to change)

BUCHER
hydraulics

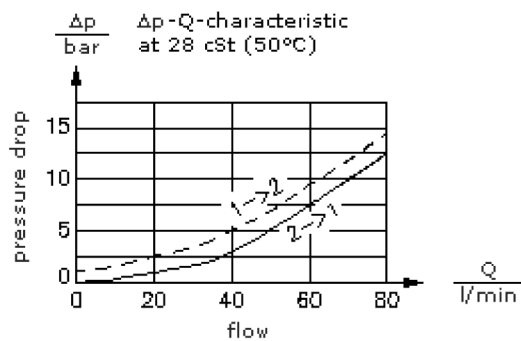
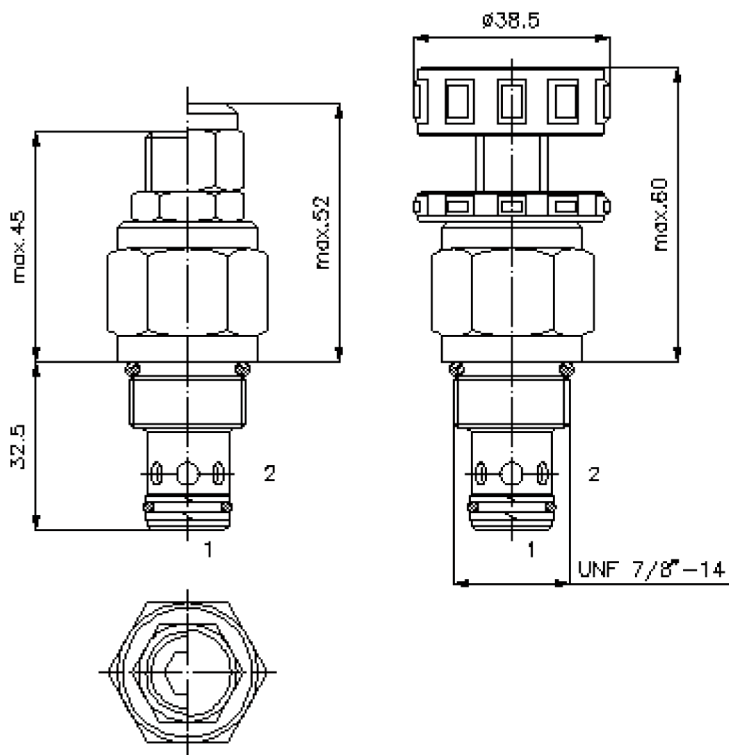


HEX 19 mm

HEX 27 mm
(torque
cartridge:
48 - 54 Nm)

cavity:
C-10-2
see
data-sheet no.:
[IK-100-109-00](#)

HEW 8 mm



throttle check valve, screw-in type (adjustable)

FCVL-10.-.-0-F



Motrac Hydraulik GmbH
Siemensring 87 - D-47877 Willich
fon +49-(0)2154-8162.0 - fax +49-(0)2154-8162.499
e-mail info.miw@motracindustries.com
internet www.motracindustries.com

BUCHER
hydraulics

CF-100-101-00

(subject to change)

Ordering example:

FCVL - 10N - C - 0 - F
| | | | |
A **B** **C** **D** **E**

Model code:

- | | |
|---|--|
| A design
throttle check valve | D construction
0 = screw-in valve |
| B size and sealing
10N = Buna (NBR)
10V = Viton (FPM) | E controlled flow option
F = throttle-check-valve |
| C adjustment
S = screw adjustment
C = cap
K = handknob | |

Technical Data:

nominal pressure:	350 bar
nominal flow:	70 l/min
weight:	0.17 kg
temperature range:	-40°C to 120°C
fluids:	hydraulic oil as per DIN 51524 T1 (ISO TC 131)
max. leakage:	5 drops/min at 22 cSt (50°C) and 350 bar
seals:	optional Buna (NBR) or Viton (FPM), as well as Teflon wascher (PTFE)
cavity:	C-10-2 see datasheet no. IK-100-109-00
housing:	2LH-10.-B.. see datasheet no. IH-100-000-00
seal kit:	SP-CDS-10N-22 (NBR), SP-CDS-10V-22 (FPM)