

# 2 way, 2 position manual release screw-in valve

MRPV-10.-K-0

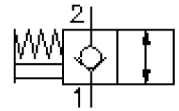
**BUCHER**  
hydraulics



Motrac Hydraulik GmbH  
Siemensring 87 - D-47877 Willich  
fon +49-(0)2154-8162.0 - fax +49-(0)2154-8162.499  
e-mail info.miw@motracindustries.com  
internet www.motracindustries.com

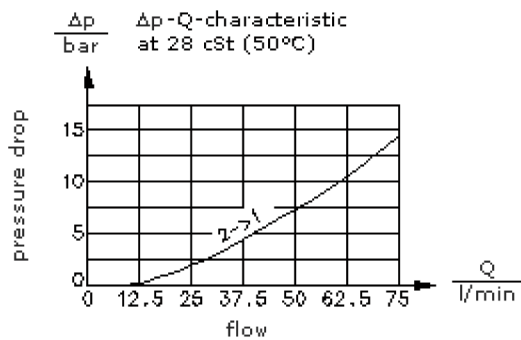
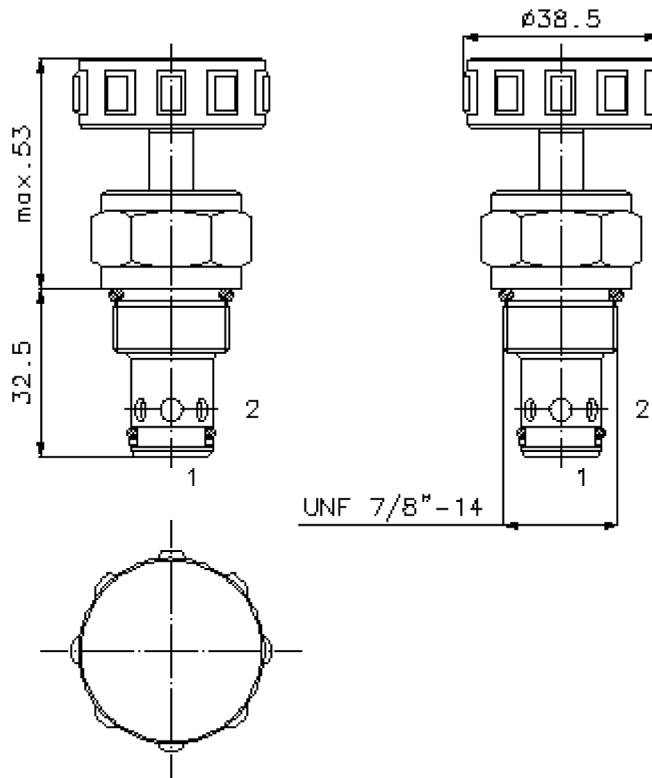
**CD-110-101-00**

(subject to change)



HEX 27mm  
(torque  
cartridge:  
48 - 54 Nm)

cavity:  
C-10-2  
see  
data-sheet no.:  
IK-100-109-00



# 2 way, 2 position manual release screw-in valve

MRPV-10.-K-0



Motrac Hydraulik GmbH  
Siemensring 87 - D-47877 Willich  
fon +49-(0)2154-8162.0 - fax +49-(0)2154-8162.499  
e-mail info.miw@motracindustries.com  
internet www.motracindustries.com

CD-110-101-00

(subject to change)

**BUCHER**  
hydraulics

## Ordering example:

MRPV - 10N - K - 0  
|        |        |        |  
**A**    **B**    **C**    **D**

## Model code:

**A** **design**  
manual release valve  
poppet type valve

**B** **size and sealing**  
10N = Buna (NBR)  
10V = Viton (FPM)

**C** **actuation type**  
K = handknob

**D** **construction**  
0 = screw-in valve

## Technical Data:

**note:** open: pull knob  
close: spring return

**nominal pressure:** 350 bar

**nominal flow:** 70 l/min

**weight:** 0.14 kg

**temperature range:** -40°C to 120°C

**fluids:** hydraulic oil as per DIN 51524 T1 (ISO TC 131)

**max. leakage:** 5 drops/min at 22 cSt (50°C) and 350 bar

**seals:** optional Buna (NBR) or Viton (FPM), as well as Teflon wascher (PTFE)

**crack pressure check valve:** 12 bar

**force to open:** approx. 80 N

**cavity:** C-10-2 see datasheet no. [IK-100-109-00](#)

**housing:** 2LH-10.-B.. see datasheet no. [IH-100-000-00](#)

**seal kit:** SP-CDS-10N-21 (NBR), SP-CDS-10V-21 (FPM)