

counterbalance valve, screw-in type (adjustable)

CBP.-10.-.-0-..

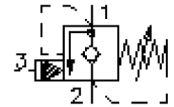


Motrac Hydraulik GmbH
Siemensring 87 - D-47877 Willich
fon +49-(0)2154-8162.0 - fax +49-(0)2154-8162.499
e-mail info.miw@motracindustries.com
internet www.motracindustries.com

CC-410-101-00

(subject to change)

BUCHER
hydraulics

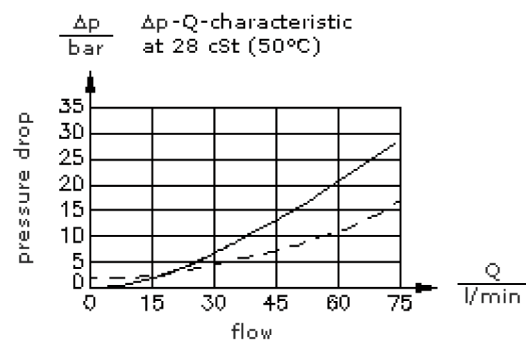
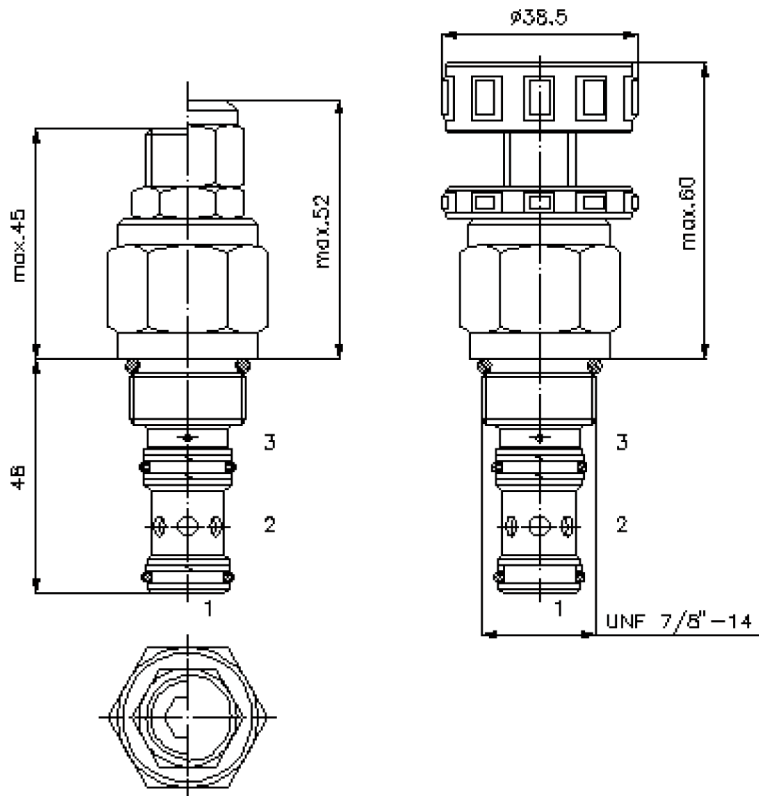


HEX 19 mm

HEX 27 mm
(torque
cartridge:
48 - 54 Nm)

cavity:
C-10-3S
see
data-sheet no.:
[IK-200-109-00](#)

HEW 8 mm



counterbalance valve, screw-in type (adjustable)

CBP.-10.-.-0-..



Motrac Hydraulik GmbH
Siemensring 87 - D-47877 Willich
fon +49-(0)2154-8162.0 - fax +49-(0)2154-8162.499
e-mail info.miw@motracindustries.com
internet www.motracindustries.com

CC-410-101-00

(subject to change)

BUCHER
hydraulics

Ordering example:

CBP A - 10N - C - 0 - 30
| | | | | |
A **B** **C** **D** **E** **F**

Model code:

- | | |
|--------------------------------------------------------------------------------------------------------------|----------------------------------------------------------------------------------------------------|
| A design
counter balance valve
adjustable
pilot ratio 4 : 1 | D adjustment
S = screw adjustment
C = cap
K = handknob |
| B seals at spool
A = without seals at the piston (standard)
S = with seals at the piston | E construction
0 = screw-in valve |
| C size and sealing
10N = Buna (NBR)
10V = Viton (FPM) | F pressure range
15 = 7.0 - 105 bar
30 = 21.0 - 210 bar
50 = 35.0 - 350 bar |

Technical Data:

nominal pressure:	350 bar
nominal flow:	76 l/min
weight:	0.21 kg
temperature range:	-40°C to 120°C
fluids:	hydraulic oil as per DIN 51524 T1 (ISO TC 131)
max. leakage:	5 drops/min at 22 cSt (50°C) and approx. 20% below the setted crack pressure
seals:	optional Buna (NBR) or Viton (FPM), as well as Teflon wascher (PTFE)
crack pressure:	0.4 - 0.6 bar (check valve)
cavity:	C-10-3S see datasheet no. IK-200-109-00
housing:	3SLH-10.-B.. see datasheet no. IH-200-000-00
seal kit:	SP-CDS-10N-33S (NBR), SP-CDS-10V-33S (FPM)