

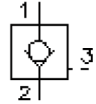
# check valve, screw-in type (pilot operated)

POCI-12.-F-0-..

CC-210-121-00

(subject to change)

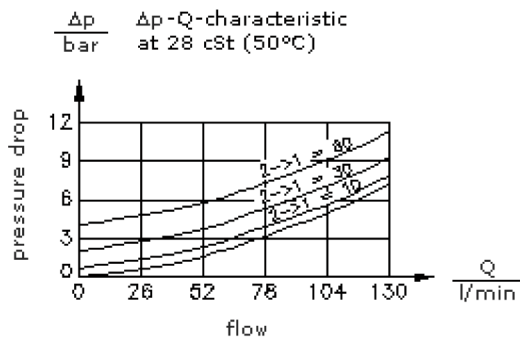
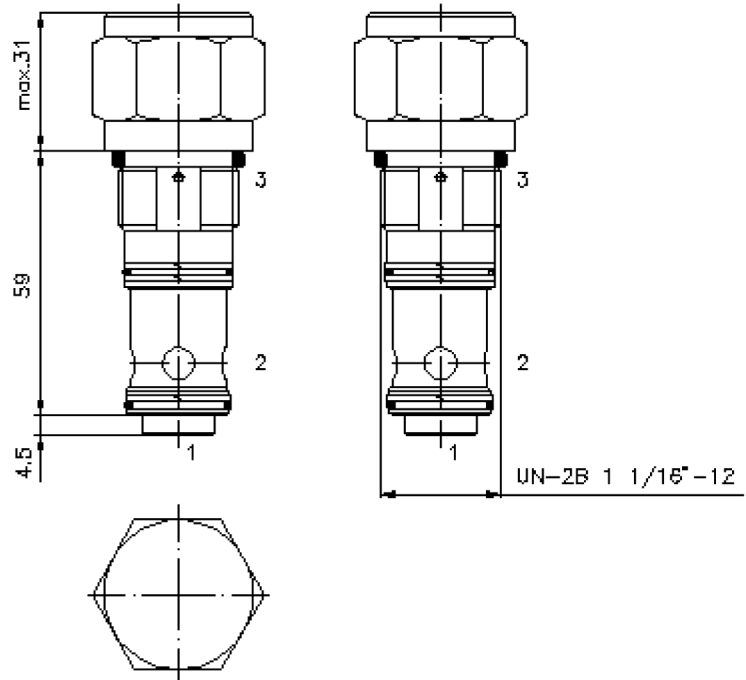
**BUCHER**  
hydraulics



HEX 1 5/16"  
(torque  
cartridge:  
95 - 100 Nm)

cavity:  
C-12-3S  
see  
data-sheet no.:  
IK-200-129-00

Attention:  
Please see note at  
data-sheet no.:  
IK-200-129-00 !



# check valve, screw-in type (pilot operated)

POCI-12.-F-0-..



Motrac Hydraulik GmbH  
Siemensring 87 - D-47877 Willich  
fon +49-(0)2154-8162.0 - fax +49-(0)2154-8162.499  
e-mail info.miw@motracindustries.com  
internet www.motracindustries.com

CC-210-121-00

(subject to change)

**BUCHER**  
hydraulics

## Ordering example:

POCI - 12N - F - 0 - 30  
|        |        |        |        |  
**A**    **B**    **C**    **D**    **E**

## Model code:

- |  |  |
|--|--|
| <b>A</b> <b>design</b><br>check valve<br>pilot operated by hydraulics<br>pilot ratio 3 : 1 | <b>C</b> <b>adjustment</b><br>F = fixed  |
| <b>B</b> <b>size and sealing</b><br>12N = Buna (NBR)<br>12V = Viton (FPM)                  | <b>D</b> <b>construction</b><br>0 = screw-in valve                             |
|  | <b>E</b> <b>crack pressure</b><br>10 = 0.7 bar<br>30 = 2.1 bar<br>60 = 4.1 bar |

## Technical Data:

<b>nominal pressure:</b>	350 bar
<b>nominal flow:</b>	132 l/min
<b>weight:</b>	0.25 kg
<b>temperature range:</b>	-40°C to 120°C
<b>fluids:</b>	hydraulic oil as per DIN 51524 T1 (ISO TC 131)
<b>max. leakage:</b>	5 drops/min at 22 cSt (50°C) and 350 bar
<b>seals:</b>	optional Buna (NBR) or Viton (FPM), as well as Teflon wascher (PTFE)
<b>cavity:</b>	C-12-3S see datasheet no. <a href="#">IK-200-129-00</a>
<b>housing:</b>	3SLH-12.-B.. see datasheet no. <a href="#">IH-200-000-00</a>
<b>seal kit:</b>	SP-CDS-12N-33S (NBR), SP-CDS-12V-33S (FPM)