

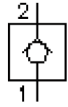
check valve, screw-in type (blocked from 1 to 2)

CVRP-12.-0-...

CC-160-121-00

(subject to change)

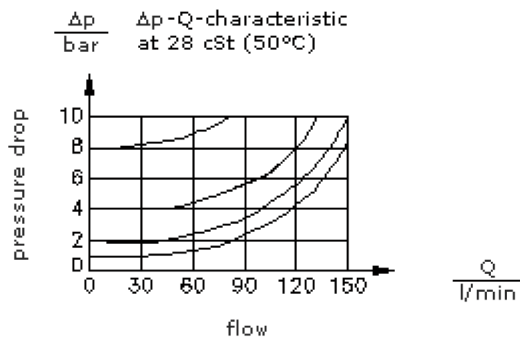
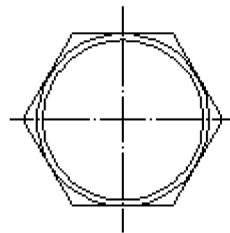
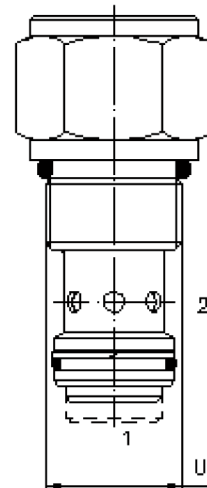
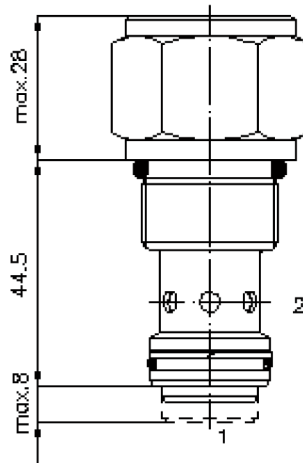
BUCHER
hydraulics



HEX 1 5/16"
(torque
cartridge:
95 - 100 Nm)

cavity:
C-12-2
see
data-sheet no.:
IK-100-129-00

Attention:
Please see note at
data-sheet no.:
IK-100-129-00 !



check valve, screw-in type (blocked from 1 to 2)

CVRP-12.-0-...



Motrac Hydraulik GmbH
Siemensring 87 - D-47877 Willich
fon +49-(0)2154-8162.0 - fax +49-(0)2154-8162.499
e-mail info.miw@motracindustries.com
internet www.motracindustries.com

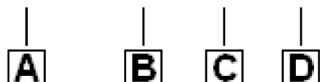
CC-160-121-00

(subject to change)

BUCHER
hydraulics

Ordering example:

CVRP - 12N - 0 - 030



Model code:

- | | |
|--|---|
| A design
check valve
(free flow 2 -> 1)
poppet type valve | D crack pressure
005 = 0.3 bar
015 = 1.0 bar
030 = 2.1 bar
060 = 4.1 bar
120 = 8.3 bar
240 = 16.5 bar |
| B size and sealing
12N = Buna (NBR)
12V = Viton (FPM) | |
| C construction
0 = screw-in valve | |

Technical Data:

nominal pressure:	350 bar
nominal flow:	136 l/min
weight:	0.22 kg
temperature range:	-40°C to 120°C
fluids:	hydraulic oil as per DIN 51524 T1 (ISO TC 131)
max. leakage:	5 drops/min at 22 cSt (50°C) and 350 bar
seals:	optional Buna (NBR) or Viton (FPM), as well as Teflon wascher (PTFE)
cavity:	C-12-2 see datasheet no. IK-100-129-00
housing:	2LH-12.-B.. see datasheet no. IH-100-000-00
seal kit:	SP-CDS-12N-21 (NBR), SP-CDS-12V-21 (FPM)